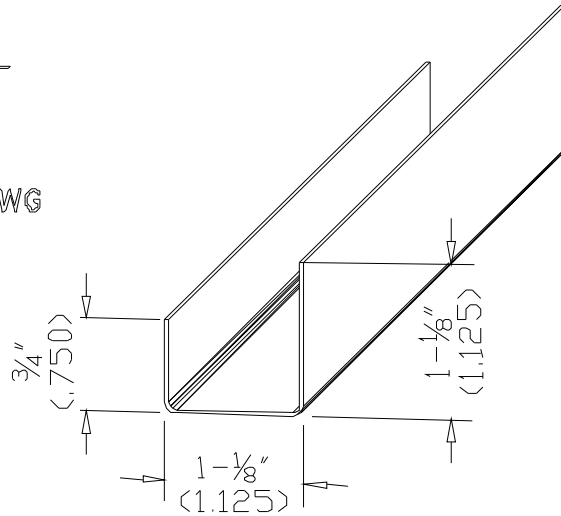
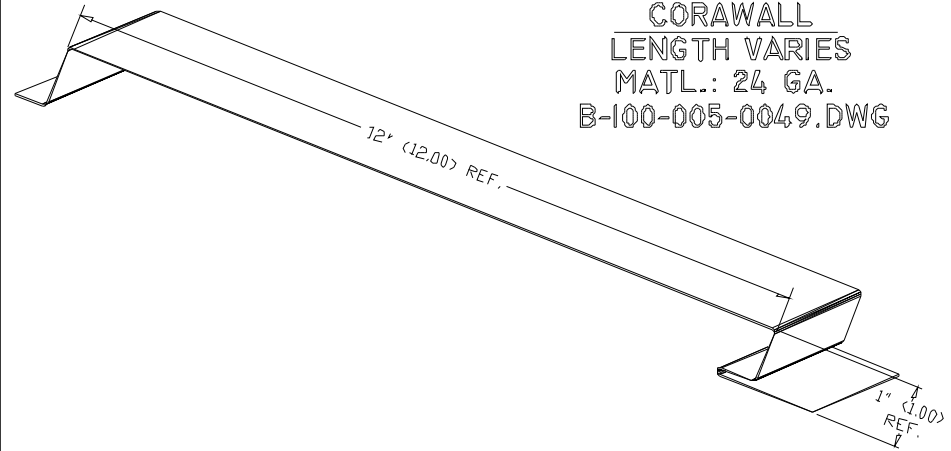


**CORAWALL
BOTTOM CHANNEL**

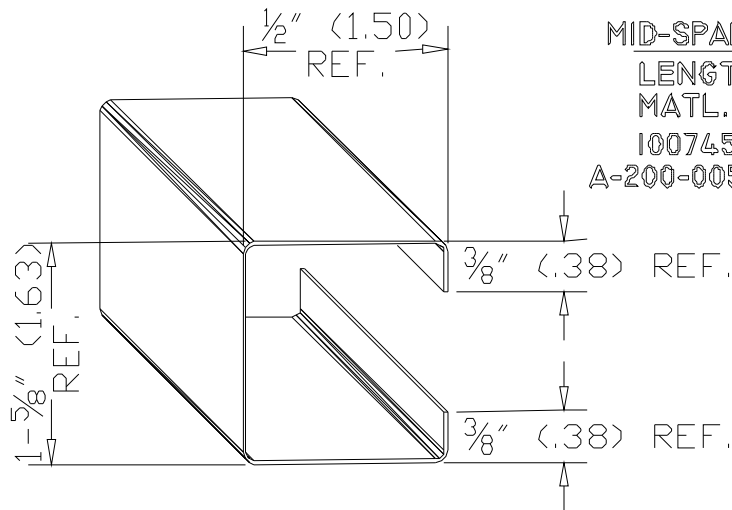
LENGTH: 10'-0"
MATL.: 20 GA.
CHANNEL-COWS
D-100-005-0057.01.DWG



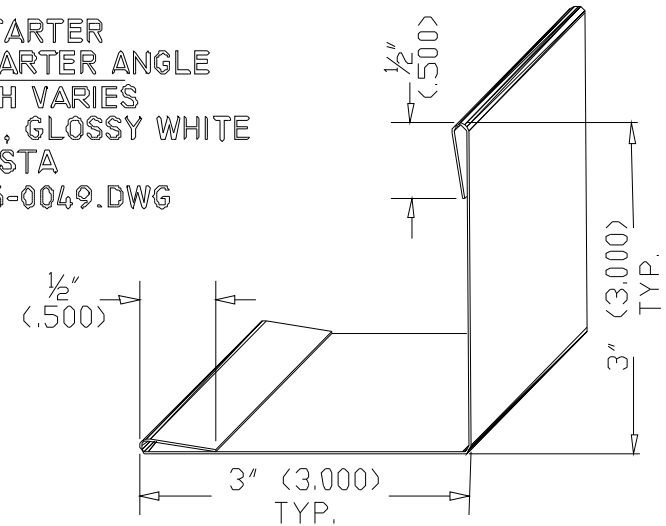
**CORAWALL
LENGTH VARIES
MATL.: 24 GA.
B-100-005-0049.DWG**



**MID-SPAN BRACING
LENGTH: 10'-0"
MATL.: 20 GA.
100745-010000
A-200-005-0032.DWG**



**C-STARTER
CORNER STARTER ANGLE
LENGTH VARIES
MATL.: 20 GA., GLOSSY WHITE
CSTA
B-100-005-0049.DWG**



PARTS IDENTIFICATION ONLY

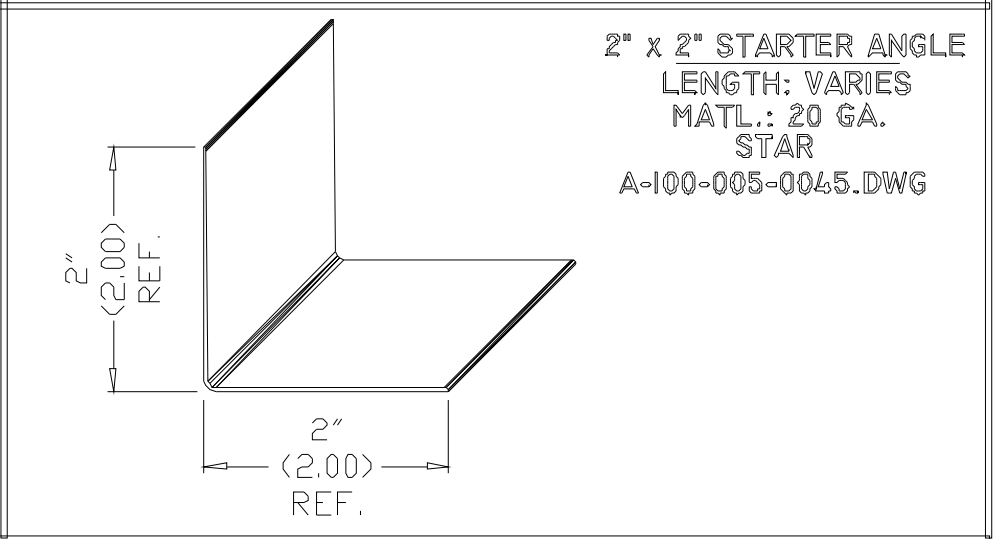
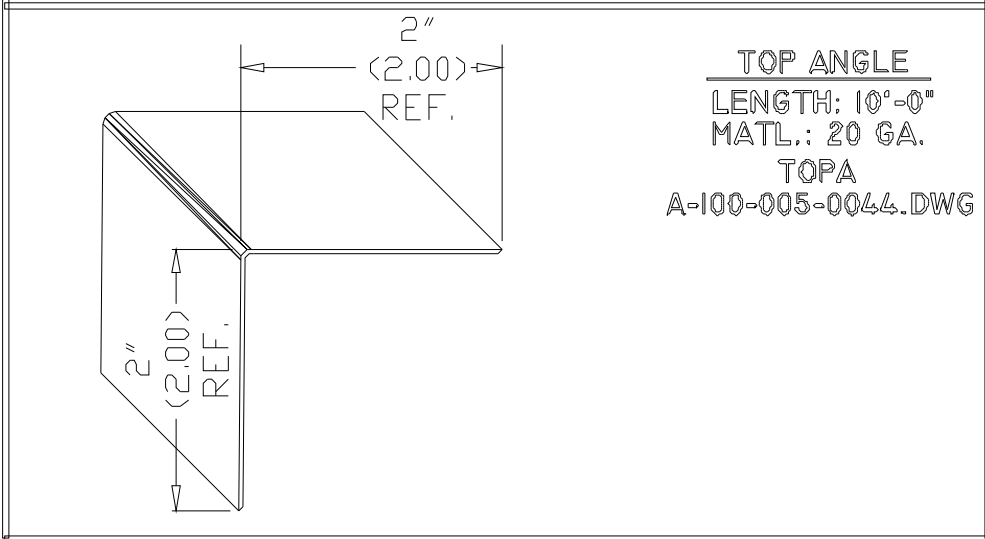
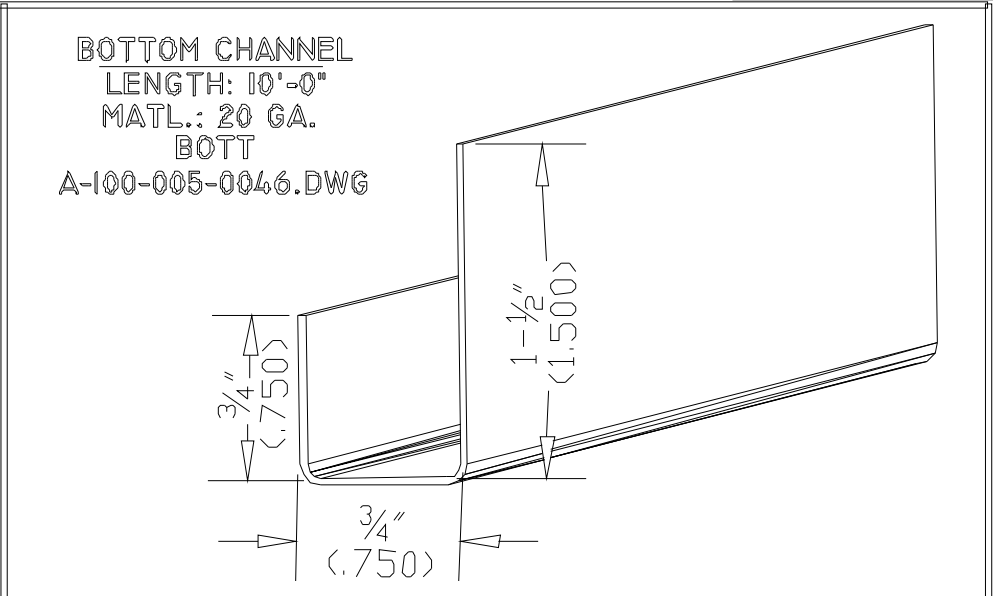
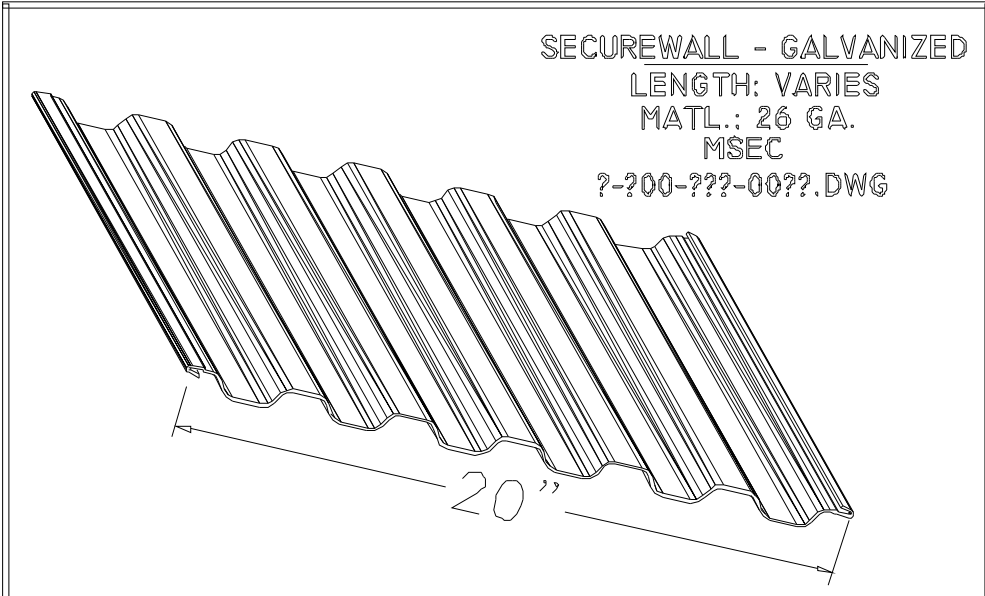


DOORS & BUILDING COMPONENTS
DOUGLASVILLE, GA CHANDLER, AZ HOUSTON, TX
©2001 DBCI ALL RIGHTS RESERVED

**TRIM LINE SYSTEM 500
INSTALLATION INSTRUCTIONS**

APPROVALS	DATE
DRAWN J. DAVIS	3/21/03
CHECKED Bob Hammond	4/8/03
APPROVED Bob Hammond	4/9/03

SIZE A	DRAWING NUMBER -400-961-0005.04	REV. -
SCALE NONE	SHEET 5	OF 19



PARTS IDENTIFICATION ONLY

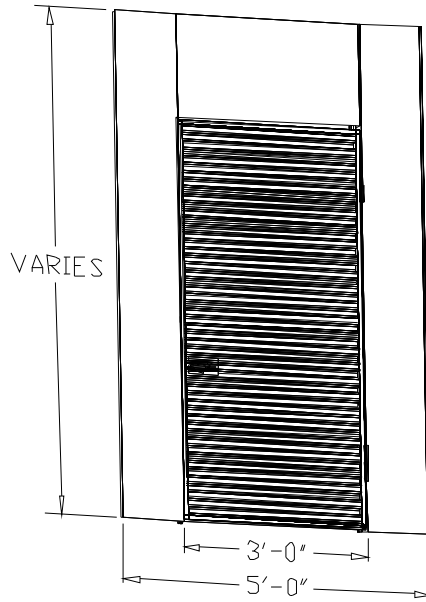


DOORS & BUILDING COMPONENTS
 DOUGLASVILLE, GA CHANDLER, AZ HOUSTON, TX
 ©2001 DBCI ALL RIGHTS RESERVED

TRIM LINE SYSTEM 500
 INSTALLATION INSTRUCTIONS

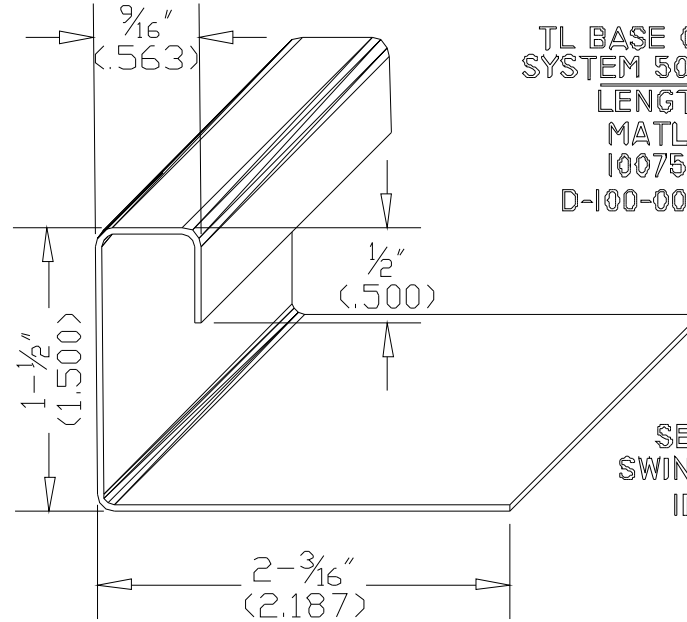
APPROVALS	DATE:
DRAWN J. DAVIS	3/21/03
CHECKED Bob Hammond	4/8/03
APPROVED Bob Hammond	4/9/03

SIZE A	DRAWING NUMBER -400-961-0005.05	REV -
SCALE: NONE	SHEET 6	OF 19



SYSTEM 500 SWING DOOR
 HEIGHT VARIES
 MATL.: 20 GA.
 MSYS 500
 D-300-961-0001.DWG

NOTES:
 SEE SYSTEM 500
 SWING DOOR INSTALL
 INSTRUCTIONS



TL BASE CHANNEL FOR
 SYSTEM 500 SWING DOOR
 LENGTH VARIES
 MATL.: 20 GA.
 100754-020000
 D-100-005-0050.DWG

NOTES:
 SEE SYSTEM 500
 SWING DOOR INSTALL
 INSTRUCTIONS

PARTS IDENTIFICATION ONLY

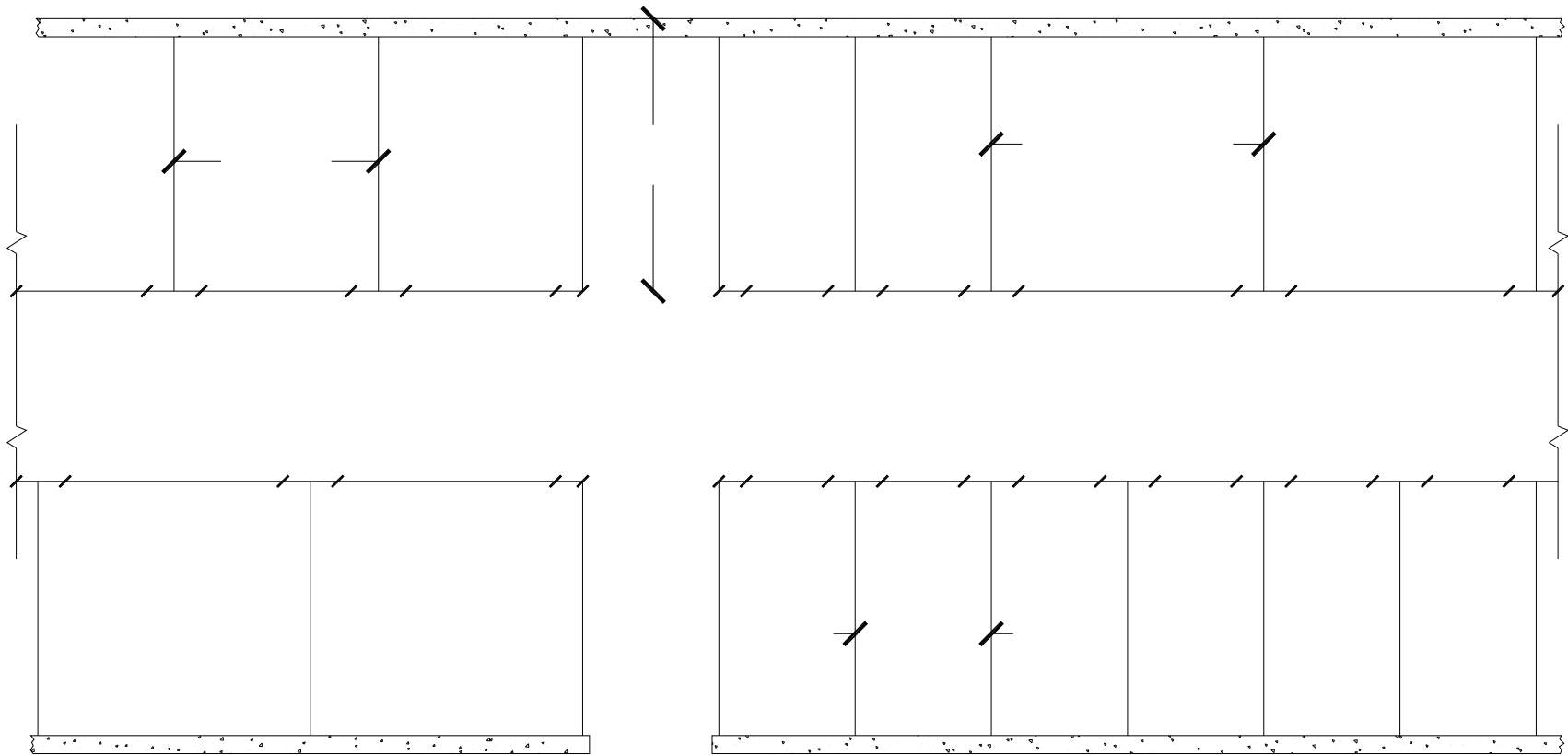


DOORS & BUILDING COMPONENTS
 DOUGLASVILLE, GA CHANDLER, AZ HOUSTON, TX
 ©2001 DBCI ALL RIGHTS RESERVED

TRIM LINE SYSTEM 500 INSTALLATION INSTRUCTIONS

APPROVALS		DATE:
DRAWN	J. DAVIS	3/21/03
CHECKED	Bob Hammond	4/8/03
APPROVED	Bob Hammond	4/9/03

SIZE	DRAWING NUMBER	REV.
	-400-961-0005.06	-
SCALE:	SHEET	OF
NONE	7	19

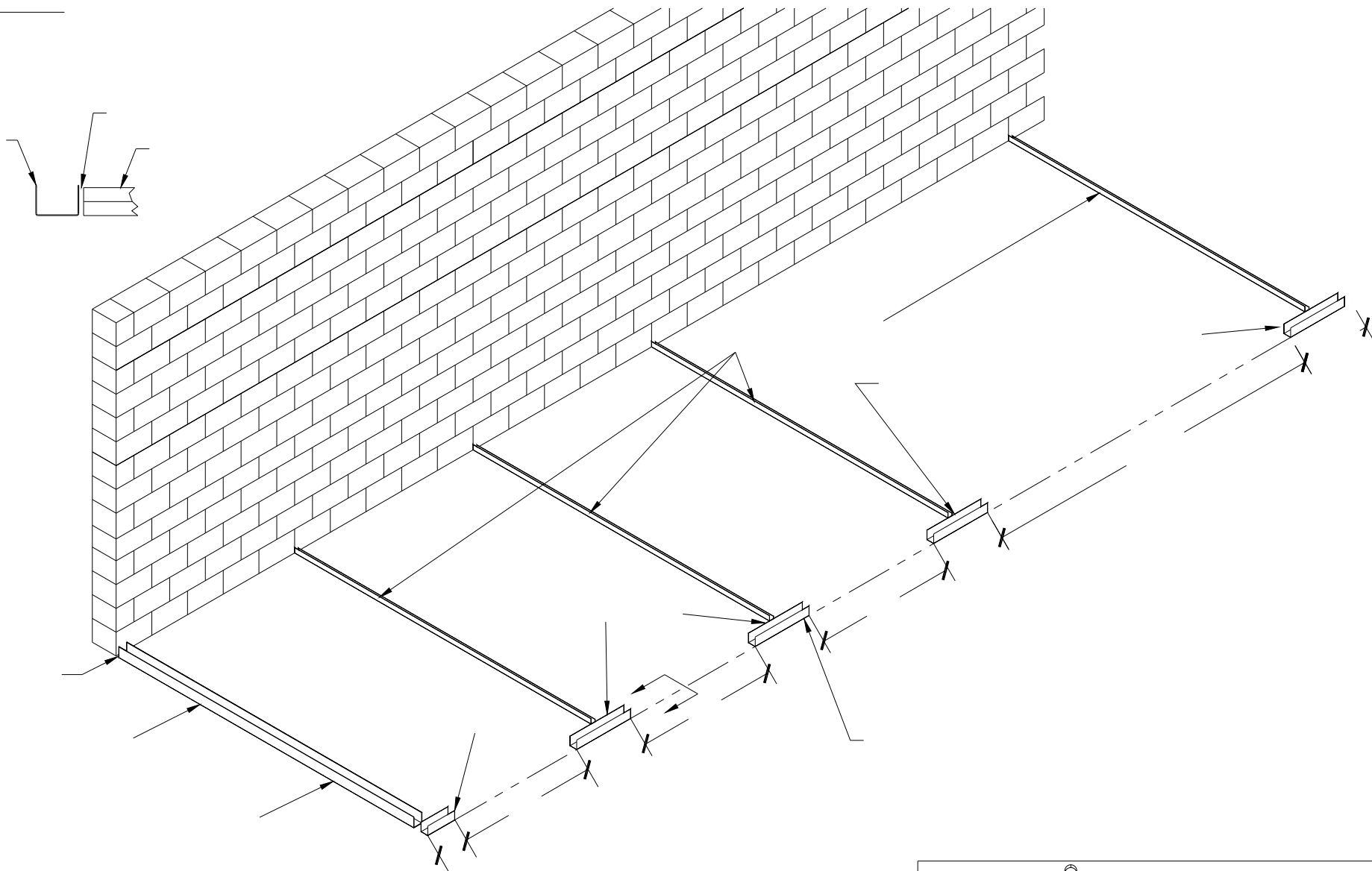


DOORS & BUILDING COMPONENTS
DOUGLASVILLE, GA CHANDLER, AZ HOUSTON, TX
©2001 DBCI ALL RIGHTS RESERVED

TRIM LINE SYSTEM 500 INSTALLATION INSTRUCTIONS

APPROVALS		DATE:
DRAWN	J. DAVIS	4/03/03
CHECKED	Bob Hammond	4/8/03
APPROVED	Bob Hammond	4/9/03

SIZE	DRAWING NUMBER	REV.
A	-400-961-0005.07	-
SCALE:	SHEET	OF
1:80	8	19



L

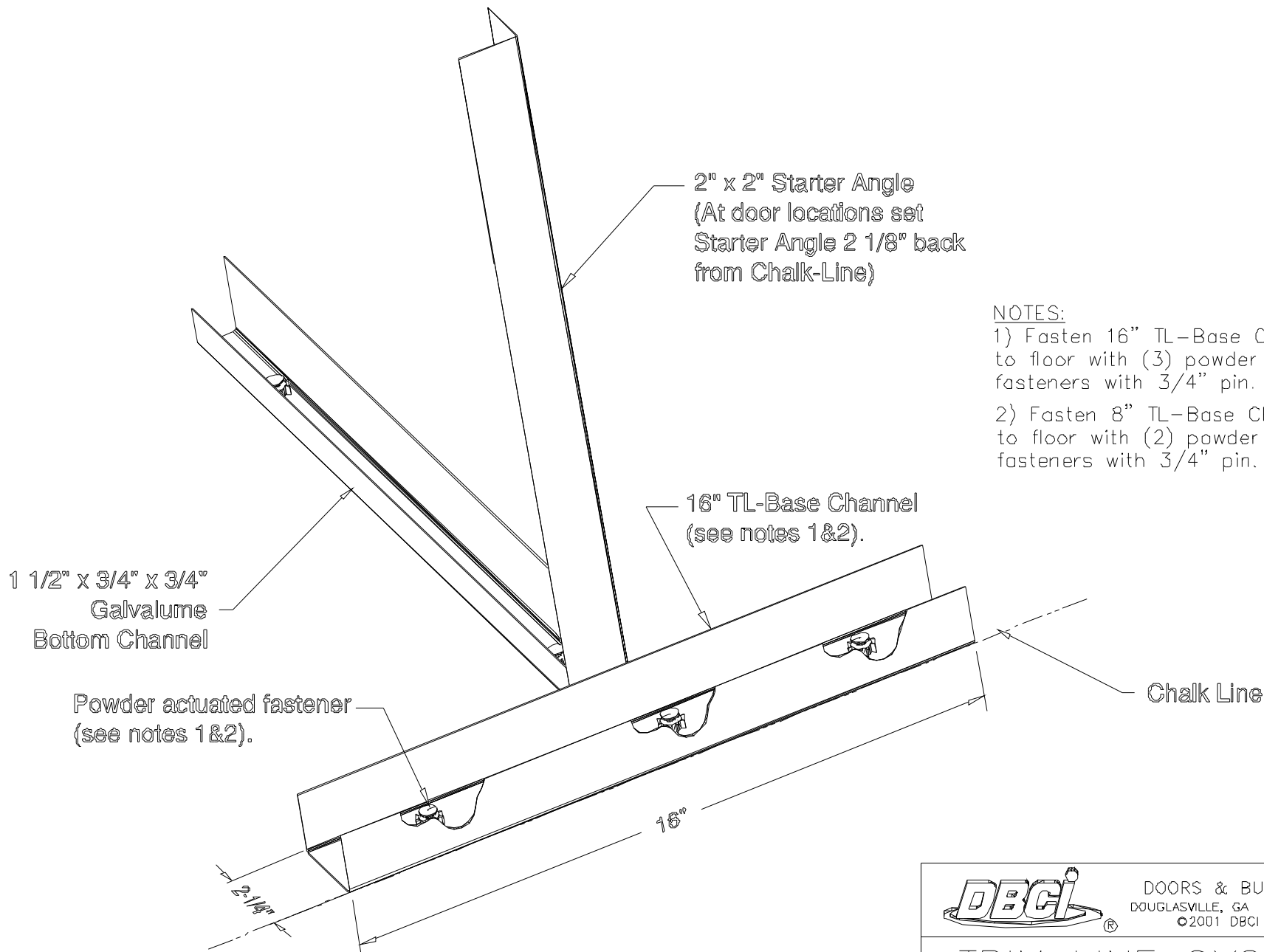


DOORS & BUILDING COMPONENTS
DOUGLASVILLE, GA CHANDLER, AZ HOUSTON, TX
©2001 DBCI ALL RIGHTS RESERVED

SYSTEM 500 HALLWAY INSTALLATION INSTRUCTIONS

APPROVALS	DATE:
DRAWN Jeff Davis	3/28/03
CHECKED Jeff Morgan	4/8/03
APPROVED Jeff Morgan	4/9/03

SIZE A	DRAWING NUMBER	REV.
SCALE: 1:50	-400-961-0005.08	-
	SHEET 9	OF 19



2" x 2" Starter Angle
(At door locations set
Starter Angle 2 1/8" back
from Chalk-Line)

- NOTES:
- 1) Fasten 16" TL-Base Channel (shown) to floor with (3) powder actuated fasteners with 3/4" pin.
 - 2) Fasten 8" TL-Base Channel (not shown) to floor with (2) powder actuated fasteners with 3/4" pin.

16" TL-Base Channel
(see notes 1&2).

1 1/2" x 3/4" x 3/4"
Galvalume
Bottom Channel

Powder actuated fastener
(see notes 1&2).

Chalk Line

16"

2-1/8"

Trim-Line System

APPROVALS		DATE
DRAWN	J. DAVIS	4/2/03
CHECKED	Bob Hammond	4/8/03
APPROVED	Bob Hammond	4/9/03

DBCI DOORS & BUILDING COMPONENTS
DOUGLASVILLE, GA CHANDLER, AZ HOUSTON, TX
©2001 DBCI ALL RIGHTS RESERVED

TRIM LINE SYSTEM 500
INSTALLATION INSTRUCTIONS

SIZE	DRAWING NUMBER	REV
	- 400-961-0005.09	-
SCALE	SHEET	OF
1:4	10	19