

TRIM LINE SYSTEM 300 INSTALLATION INSTRUCTIONS

DRAWING No.	REVISION	REV. DATE	TYPE OF DRAWING
A-400-960-0004.00	-	10/06/03	TRIM LINE SYSTEM 300 LOGO SHEET
A-400-960-0004.01	-	10/06/03	TRIM LINE SYSTEM 300 DRAWING INDEX SHEET
A-400-960-0005.01	-	8/22/03	TRIM LINE SYSTEM 300 ROLLUP DOOR MOUNTING DETAILS
A-400-960-0004.02	-	8/25/03	TRIM LINE SYSTEM 300 MECHANICAL DETAILS
A-400-960-0004.03	-	8/25/03	TRIM LINE SYSTEM 300 MECHANICAL DETAILS
A-400-960-0004.04	-	10/01/03	TRIM LINE SYSTEM 300 MECHANICAL DETAILS
A-400-960-0004.05	-	8/25/03	TRIM LINE SYSTEM 300 MECHANICAL DETAILS
A-400-960-0004.06	-	09/16/03	TRIM LINE SYSTEM 300 MECHANICAL DETAILS
A-400-960-0004.09	-	04/03/03	TRIM LINE SYSTEM 300 INSTALLATION INSTRUCTIONS
A-400-960-0004.10	-	09/15/03	TRIM LINE SYSTEM 300 INSTALLATION INSTRUCTIONS
A-400-960-0004.11	-	08/25/03	TRIM LINE SYSTEM 300 INSTALLATION INSTRUCTIONS
A-400-960-0004.12	-	08/25/03	TRIM LINE SYSTEM 300 INSTALLATION INSTRUCTIONS
A-400-960-0004.13	-	08/25/03	TRIM LINE SYSTEM 300 INSTALLATION INSTRUCTIONS
A-400-960-0004.14	-	10/02/03	TRIM LINE SYSTEM 300 INSTALLATION INSTRUCTIONS
A-400-960-0004.15	-	08/25/03	TRIM LINE SYSTEM 300 INSTALLATION INSTRUCTIONS
A-400-960-0004.16	-	08/25/03	TRIM LINE SYSTEM 300 INSTALLATION INSTRUCTIONS
A-400-960-0004.17	-	09/17/03	TRIM LINE SYSTEM 300 INSTALLATION INSTRUCTIONS
A-400-960-0004.18	-	06/17/03	TRIM LINE SYSTEM 300 INSTALLATION INSTRUCTIONS
A-400-960-0004.19	-	08/25/03	TRIM LINE SYSTEM 300 INSTALLATION INSTRUCTIONS
A-400-960-0004.20	-	06/17/03	TRIM LINE SYSTEM 300 INSTALLATION INSTRUCTIONS


APPROVALS	DATE:
DRAWN AJS	09/16/03
CHECKED Bob Hammond	10/02/03
APPROVED Bob Hammond	10/02/03

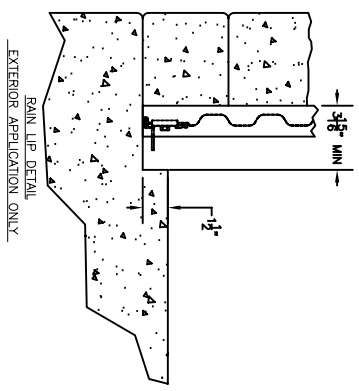
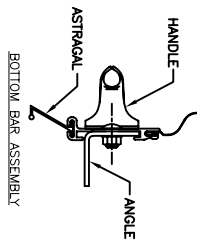
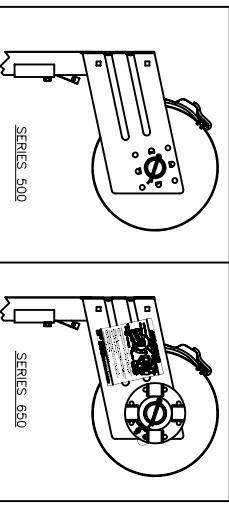
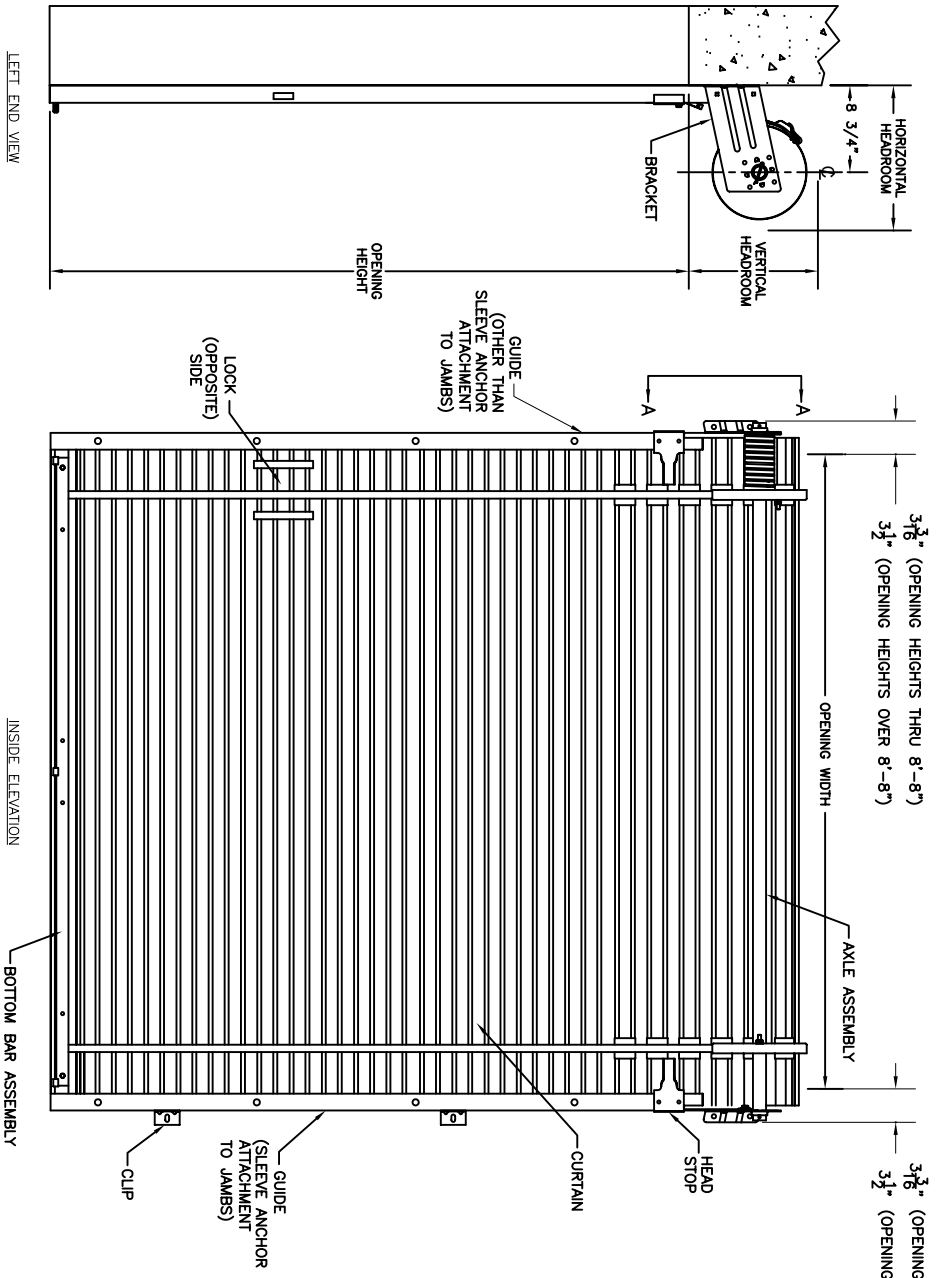


DOORS & BUILDING COMPONENTS
DOUGLASVILLE, GA CHANDLER, AZ HOUSTON, TX
©2001 DBCA ALL RIGHTS RESERVED

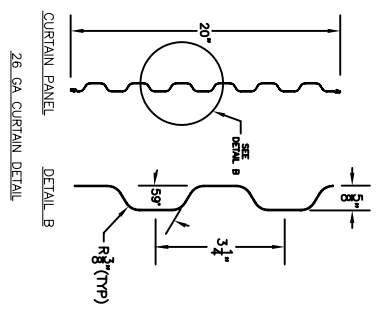
TRIM LINE SYSTEM 300

INDEX PAGE

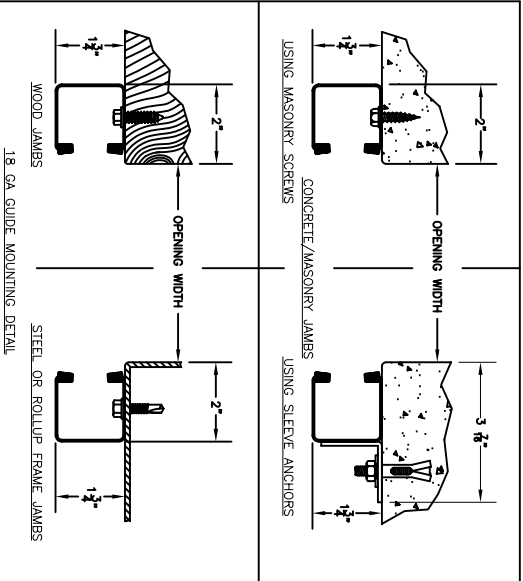
SIZE	DRAWING NUMBER	REV.
 A	-400-960-0004.01	-
SCALE:	NONE	
SHEET	2	OF 20



OPENING HEIGHT	VERTICAL HEADROOM	HORIZONTAL HEADROOM
THRU 7'-4"	15 1/2"	17"
THRU 8'-8"	16"	17 1/2"
THRU 10'-0"	18"	19 1/4"



- NOTES:**
1. DOOR SERIES DESCRIPTIONS: 500-BEARING BRACKETS; 650-LH TENSIONER BRACKET, RH BEARING BRACKET
 2. CLEARANCES SHOWN ARE RECOMMENDED. LESSER CLEARANCES MAY BE POSSIBLE.
 3. ALL OPENING PREPARATION, ELECTRICAL, POWER AND FIELD PAINTING SHALL BE PROVIDED BY OTHERS.
 4. CURTAIN FINISH SHALL BE SILICONIZED POLYESTER PRE-PAINT OVER GALVANIZED GRADE 5 STEEL.
 5. ZINC COATED MIN. SLIDE LATCH SHALL BE STAINLESS STEEL.
 6. UNLESS OTHERWISE NOTED, LOCKING SHALL BE BY SINGLE MIN. SLIDE LATCH BOLTED TO CURTAIN AND SUITABLE FOR DOUBLE PADLOCKS.



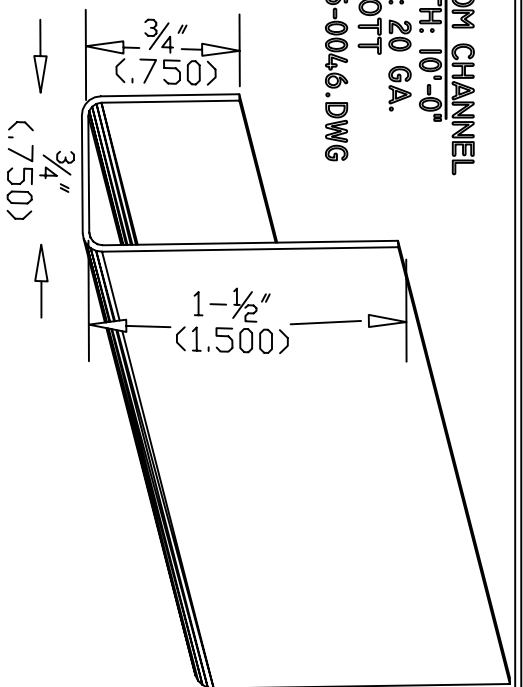
APPROVALS	DATE:
DRAWN: AUS	08/22/03
CHECKED: Bob Hammond	10/02/03
APPROVED: Bob Hammond	10/02/03

DBCI
 MINI DOOR SERIES: 500/650
 DOORS & BUILDING COMPONENTS
 DOUGLASVILLE, GA CHANDLER, AZ HOUSTON, TX
 ©2001 DBCI ALL RIGHTS RESERVED

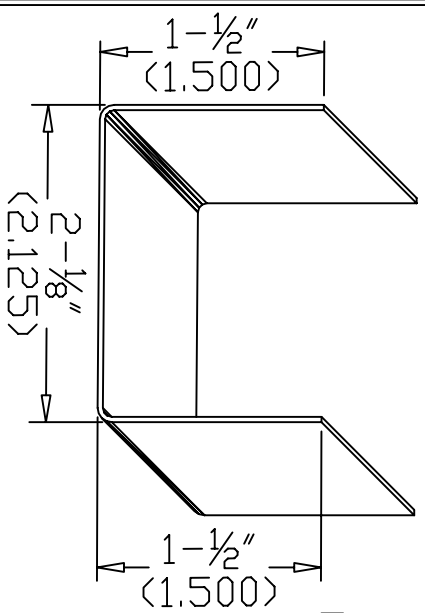
TRIM LINE SYSTEM 300
 INSTALLATION INSTRUCTIONS

SIZE	DRAWING NUMBER	REV.
A	-400-960-0005.01	-
SCALE:	NONE	SHEET 3 OF 20

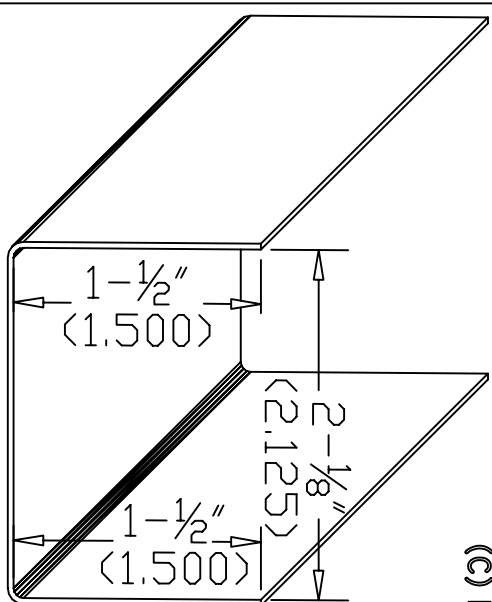
(A) BOTTOM CHANNEL
 LENGTH: 10'-0"
 MATL.: 20 GA.
 BOT
 A-100-005-004.6.DWG



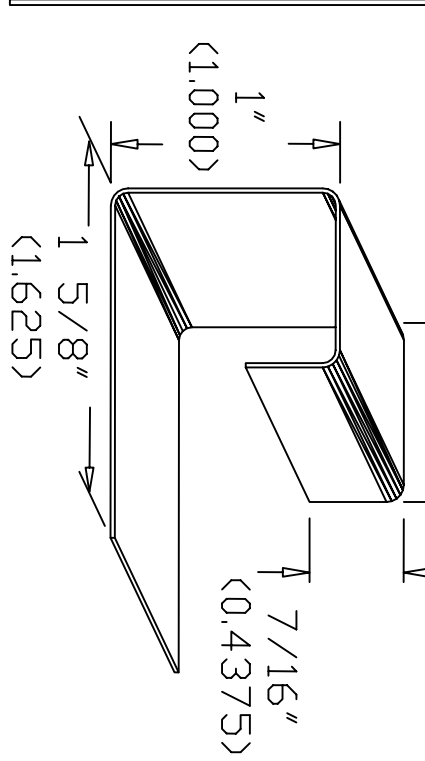
**(B) SINGLE ROLL-UP FRAME
 BASE CHANNEL**
 LENGTH: VARIES
 MATL.: 20 GA.
 BASE + SIZE + COLOR
 D-100-005-004.5.DWG



**(C) DOUBLE ROLL-UP FRAME
 BASE CHANNEL**
 LENGTH: VARIES
 MATL.: 20 GA.
 BASE + SIZE + COLOR
 D-100-005-004.6.DWG



(D) TL BOTTOM ANGLE
 LENGTH: VARIES
 MATL.: 20 GA.



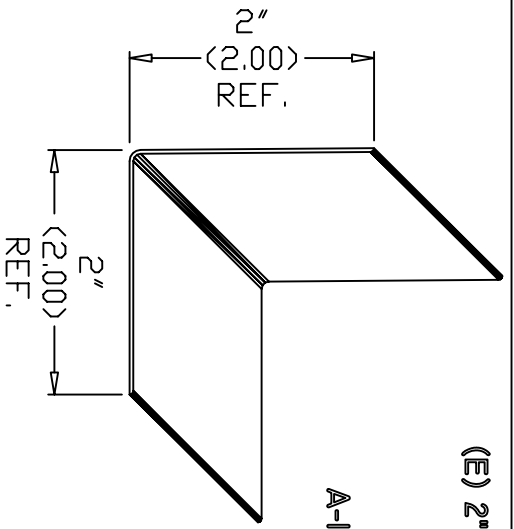
PARTS IDENTIFICATION ONLY

APPROVALS		DATE:
DRAWN	AJS	082503
CHECKED	Bob Hammond	10/02/03
APPROVED	Bob Hammond	10/02/03

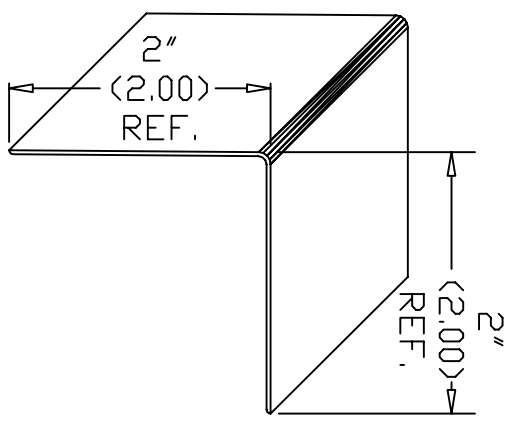
DBCI
 DOORS & BUILDING COMPONENTS
 DOUGLASVILLE, GA CHANDLER, AZ HOUSTON, TX
 ©2001 DBCI ALL RIGHTS RESERVED

**TRIM LINE SYSTEM 300
 INSTALLATION INSTRUCTIONS**

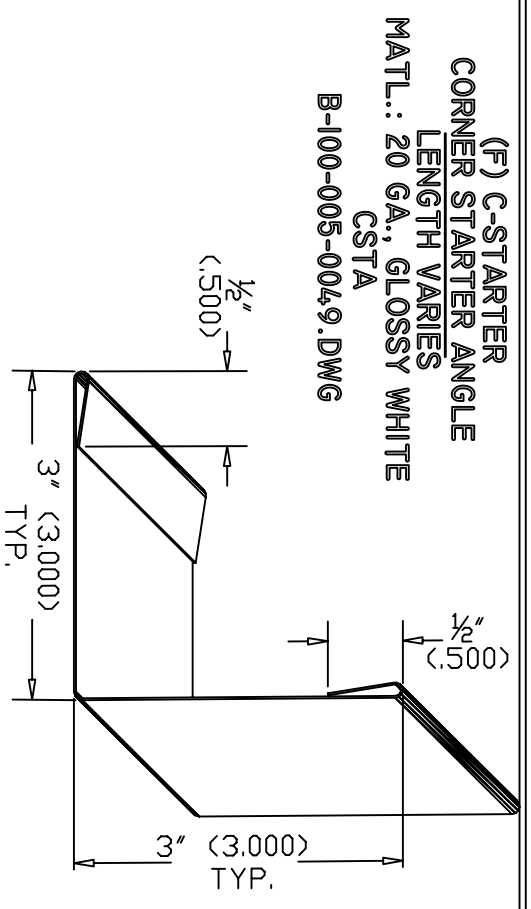
SIZE	DRAWING NUMBER	REV.
SCALE: NINE	-400-960-0004.02	-
SHEET 4	OF 20	



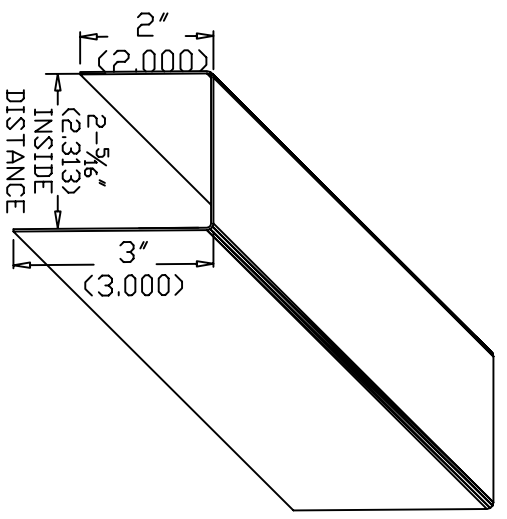
(E) 2" x 2" STARTER ANGLE
 LENGTH: VARIES
 MATL.: 20 GA.
 STAR
 A-100-005-004.5.DWG



(G) UNIVERSAL ANGLE
 LENGTH: 10'-0"
 MATL.: 20 GA.
 100389-010000
 A-100-005-004.4.DWG



(F) C-STARTER CORNER STARTER ANGLE
 LENGTH VARIES
 MATL.: 20 GA., GLOSSY WHITE
 CSTA
 B-100-005-004.9.DWG



(H) TOP CHANNEL
 LENGTH: 10'-1" LONG
 MATL.: 20 GA.
 TOPC
 D-100-005-0051.DWG

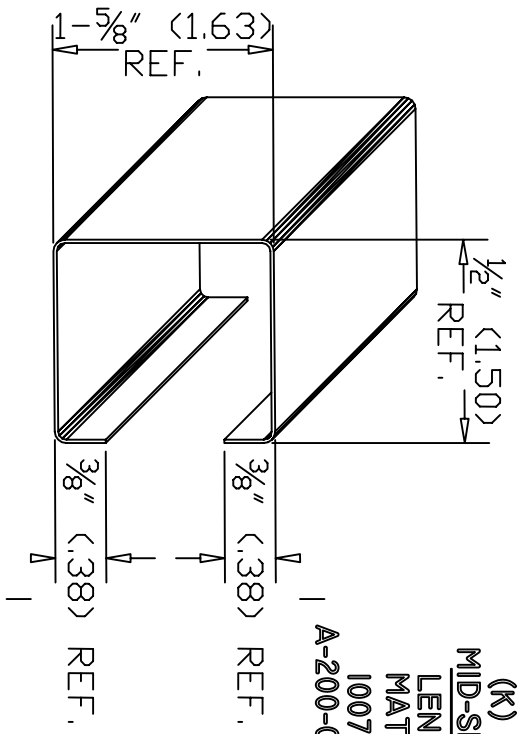
PARTS IDENTIFICATION ONLY

APPROVALS		DATE:
DRAWN	AJS	08/25/03
CHECKED	Bob Hammond	10/02/03
APPROVED	Bob Hammond	10/02/03

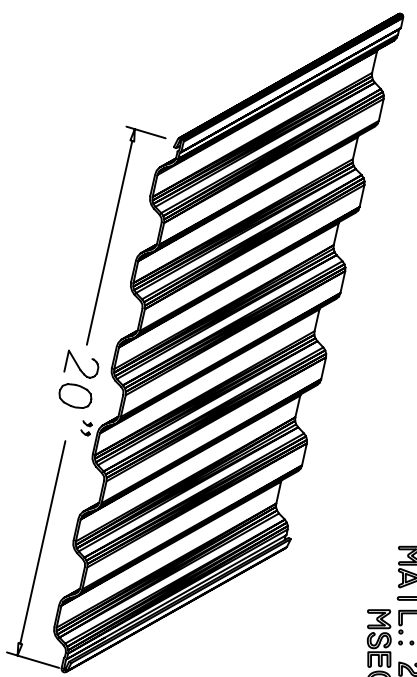
DBCI
 DOORS & BUILDING COMPONENTS
 DOUGLASVILLE, GA CHANDLER, AZ HOUSTON, TX
 ©2001 DBCI ALL RIGHTS RESERVED

TRIM LINE SYSTEM 300
 INSTALLATION INSTRUCTIONS

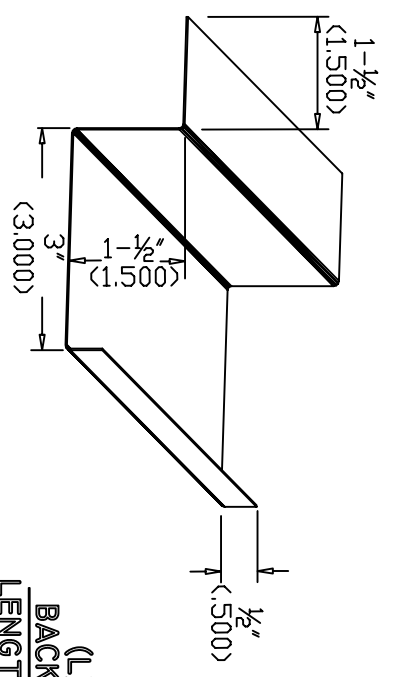
SIZE	DRAWING NUMBER	REV.
SCALE: NINE	-400-960-004.03	-
SHEET 5	OF 20	



**(K) STANDARD
MID-SPAN BRACING**
LENGTH: 10'-0"
MATL.: 20 GA.
100745-010000
A-200-005-0032.DWG



(J) SECUREWALL - GALVALUME
LENGTH: VARIES
MATL.: 26 GA.
MSEC



**(L) TL
BACK PLATE**
LENGTH VARIES
MATL.: 20 GA.
SICO

PARTS IDENTIFICATION ONLY

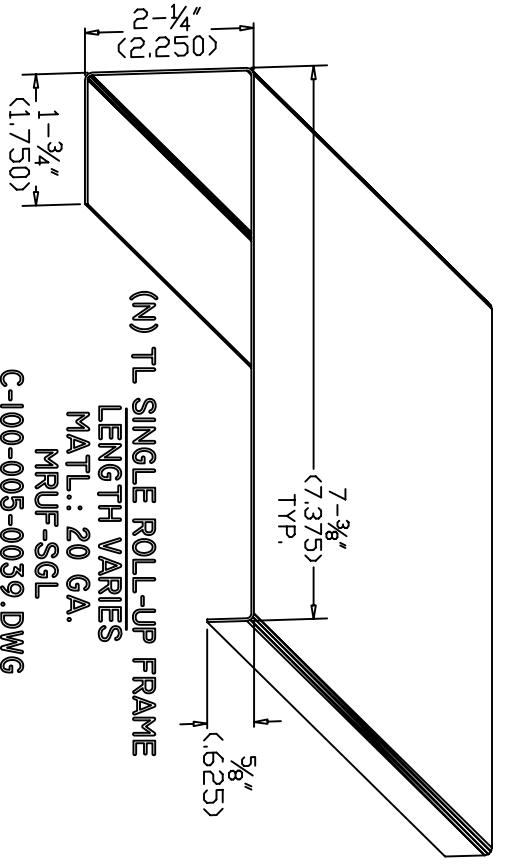
APPROVALS		DATE:
DRAWN	AJS	10/01/03
CHECKED	Bob Hammond	10/02/03
APPROVED	Bob Hammond	10/02/03

DBCI
DOORS & BUILDING COMPONENTS
DOUGLASVILLE, GA CHANDLER, AZ HOUSTON, TX
©2001 DBCI ALL RIGHTS RESERVED

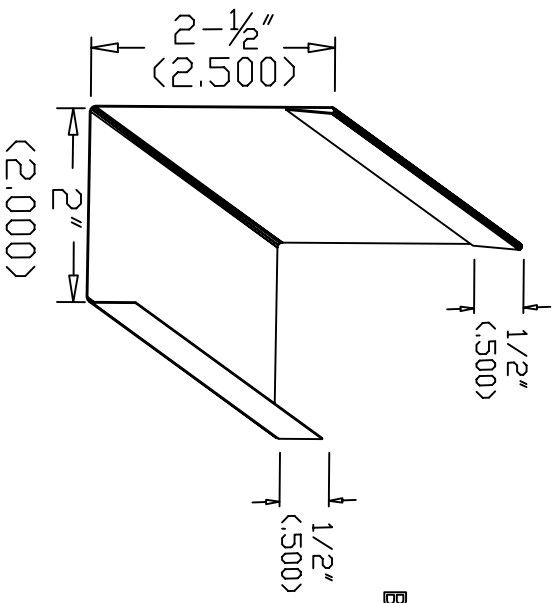
TRIM LINE SYSTEM 300
INSTALLATION INSTRUCTIONS

SIZE: **A**
DRAWING NUMBER: -400-961-0004.04
SCALE: NONE
SHEET 6 OF 20

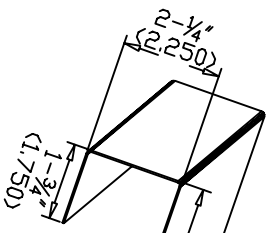
REV. -



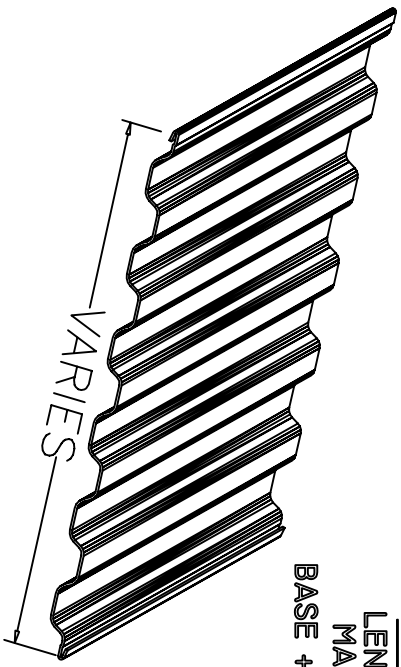
(N) TL SINGLE ROLL-UP FRAME
 LENGTH VARIES
 MATL.: 20 GA.
 MRUF-SGL
 C-100-005-0039.DWG



(Q) TL-FILLER
 BOTTOM CHANNEL
 LENGTH: VARIES
 MATL.: 20 GA.
 BASE + SIZE + COLOR



(P) TL DOUBLE ROLL-UP FRAME
 LENGTH VARIES
 MATL.: 20 GA.
 MRUF-DBL
 C-100-005-0038.DWG



(R) FILLER PANEL
 SHEET
 LENGTH: VARIES
 MATL.: 20 GA.
 BASE + SIZE + COLOR

PARTS IDENTIFICATION ONLY

APPROVALS	DATE:
DRAWN AJS	08/25/03
CHECKED Bob Hammond	10/02/03
APPROVED Bob Hammond	10/02/03



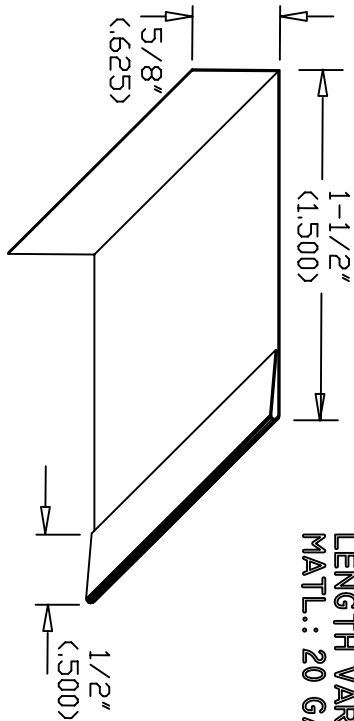
DOORS & BUILDING COMPONENTS
 DOUGLASVILLE, GA CHANDLER, AZ HOUSTON, TX
 ©2001 DBCI ALL RIGHTS RESERVED

TRIM LINE SYSTEM 300
 INSTALLATION INSTRUCTIONS

SIZE: DRAWING NUMBER: -400-960-0004.05
 SCALE: NONE SHEET 7 OF 20

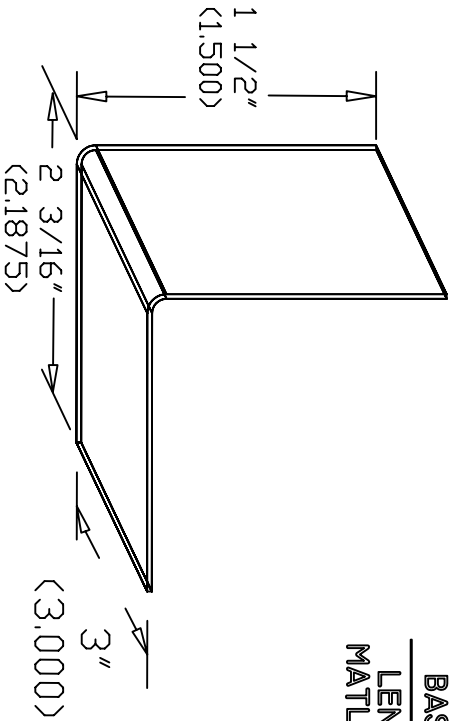
(S) CORRUGATED FILLER PANEL

SIDE ANGLE
LENGTH VARIES
MATL.: 20 GA.



(V) TL- 3" SWING DOOR

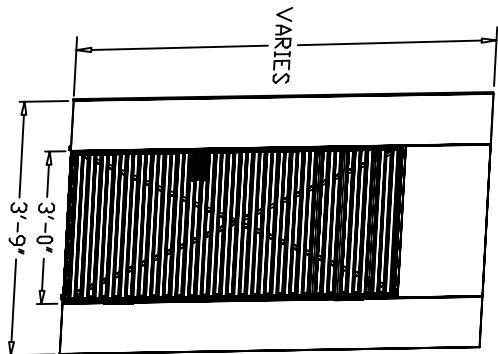
BASE CLIP
LENGTH: 3"
MATL.: 20 GA.



(T) SYSTEM 300

SWING DOOR
HEIGHT: VARIES
MATL.: 20 GA.
 125456-010000
 D-300-960-0001.DWG

NOTES:
 SEE SYSTEM 300
 SWING DOOR INSTALL
 INSTRUCTIONS



PARTS IDENTIFICATION ONLY

APPROVALS		DATE:
DRAWN	AJS	091603
CHECKED	Bob Hammond	10/02/03
APPROVED	Bob Hammond	10/02/03

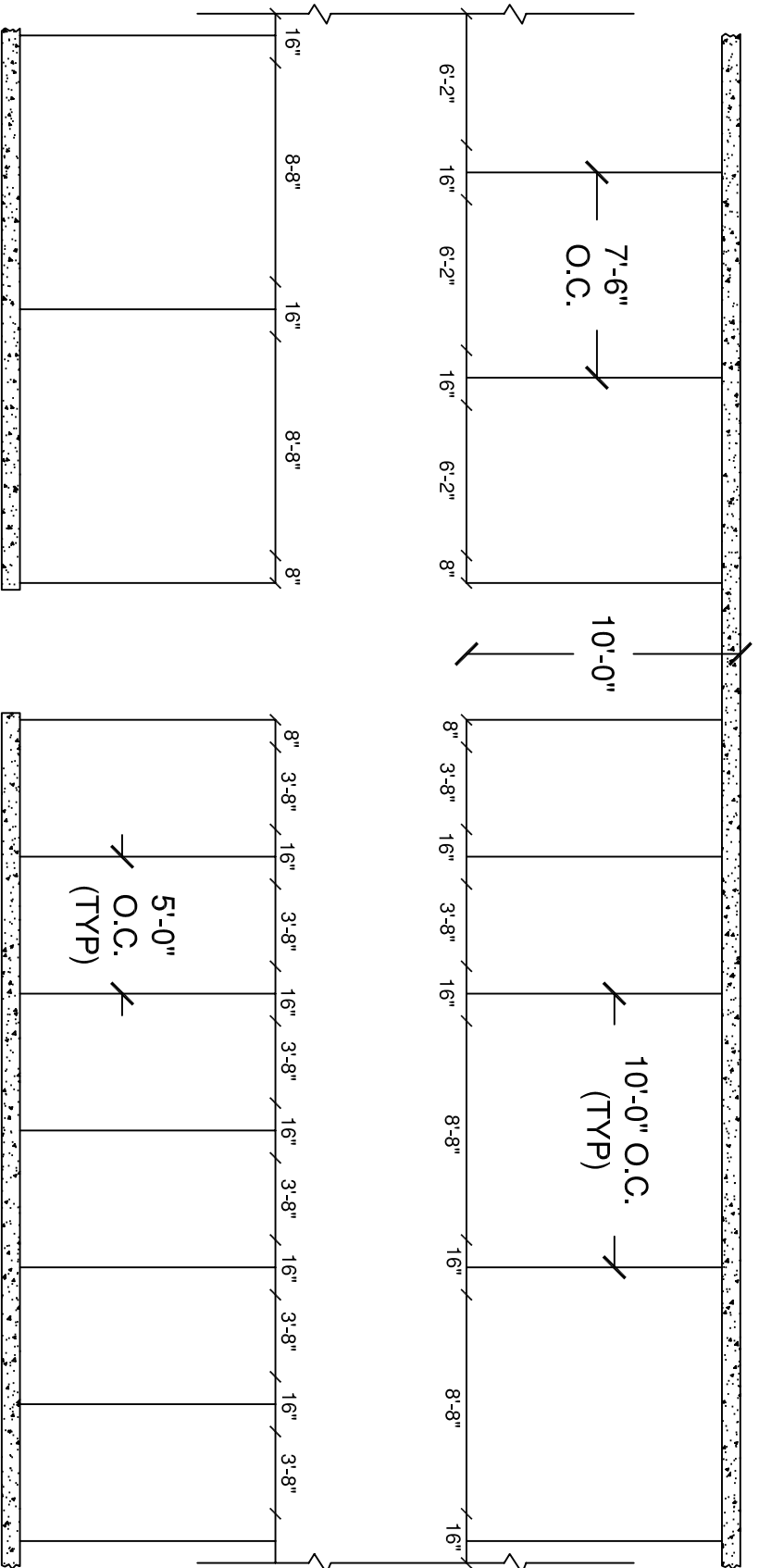


DOORS & BUILDING COMPONENTS
 DOUGLASVILLE, GA CHANDLER, AZ HOUSTON, TX
 ©2001 DBCI ALL RIGHTS RESERVED

TRIM LINE SYSTEM 300
 INSTALLATION INSTRUCTIONS

SIZE: DRAWING NUMBER: -400-960-0004.06 REV: -

SCALE: NONE SHEET 8 OF 20



STEP #1

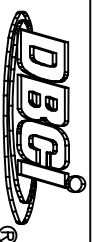
ESTABLISHING BOUNDARIES AND DIMENSIONS

Establish chalk-line layout on floor to corresponding architectural unit mix. Snap lines on floor and mark dimensions of door openings.

NOTE: Hash marks (//) show layout dimension with corresponding measurement between each mark.

APPROVALS

APPROVALS	DATE:
DRAWN J. DAVIS	4/03/03
CHECKED Bob Hammond	10/02/03
APPROVED Bob Hammond	10/02/03



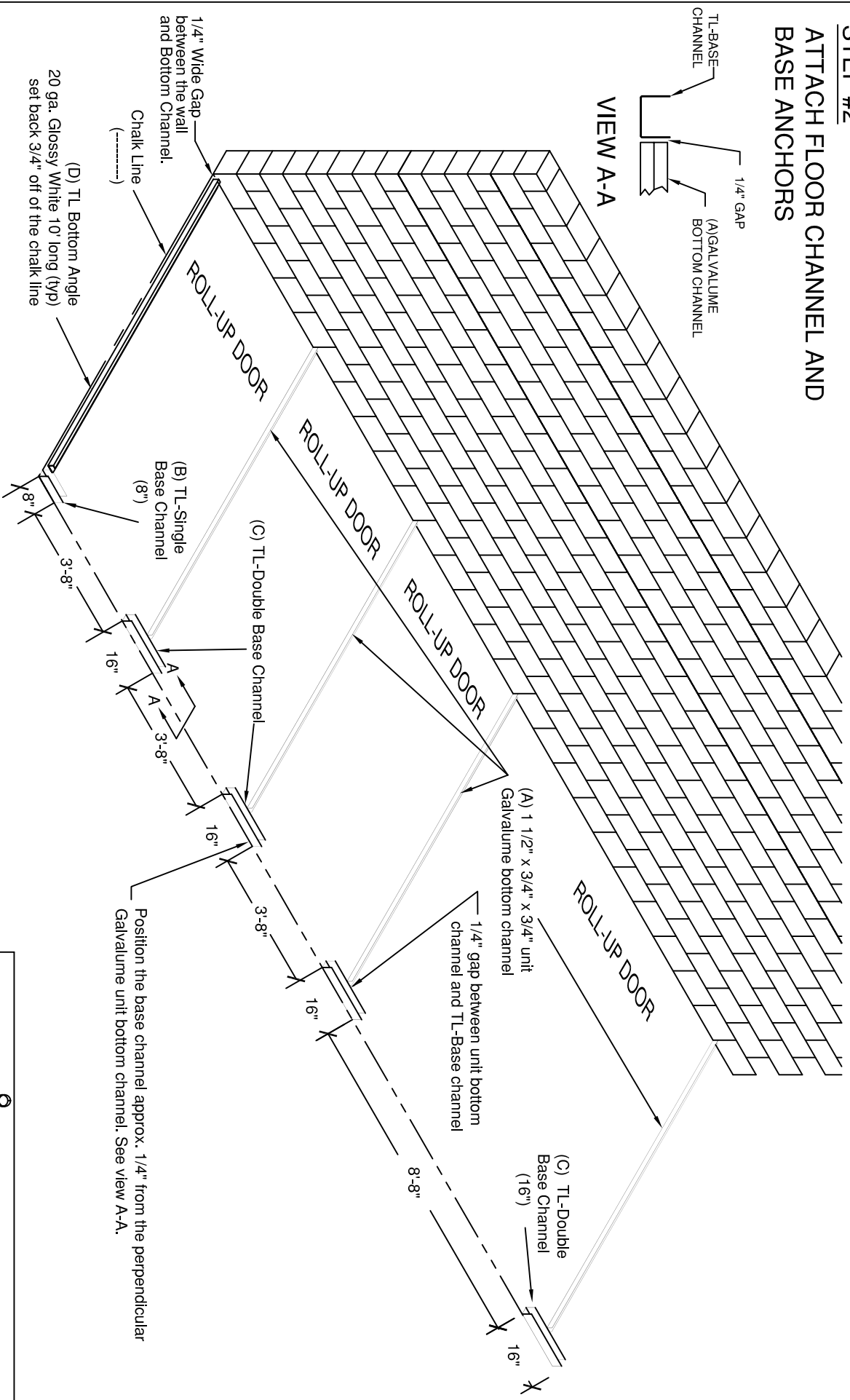
DOORS & BUILDING COMPONENTS
DOUGLASVILLE, GA CHANDLER, AZ HOUSTON, TX
©2001 DBCI ALL RIGHTS RESERVED

Trim Line System

**TRIM LINE SYSTEM 300
INSTALLATION INSTRUCTIONS**

SIZE	DRAWING NUMBER	REV.
	400-960-0004.09	-
SCALE:	SHEET	OF
1:80	9	20

STEP #2 ATTACH FLOOR CHANNEL AND BASE ANCHORS



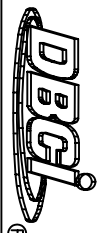
NOTES:

- 1) All bottom channel to be fastened 4 places per 10'-0" using powder actuated fasteners w/ 3/4" long pin (Supplied by others).
- 2) Fasten Trim Line Bottom Angle (D) 3/4" to the inside of the boundary chalk line.
- 3) Fasten Base Channel (B & C) on chalk line at 8" single locations and 16" double locations.
- 4) Leave (1/4") gap at all Galvalume unit bottom channel locations.

Trim Line System

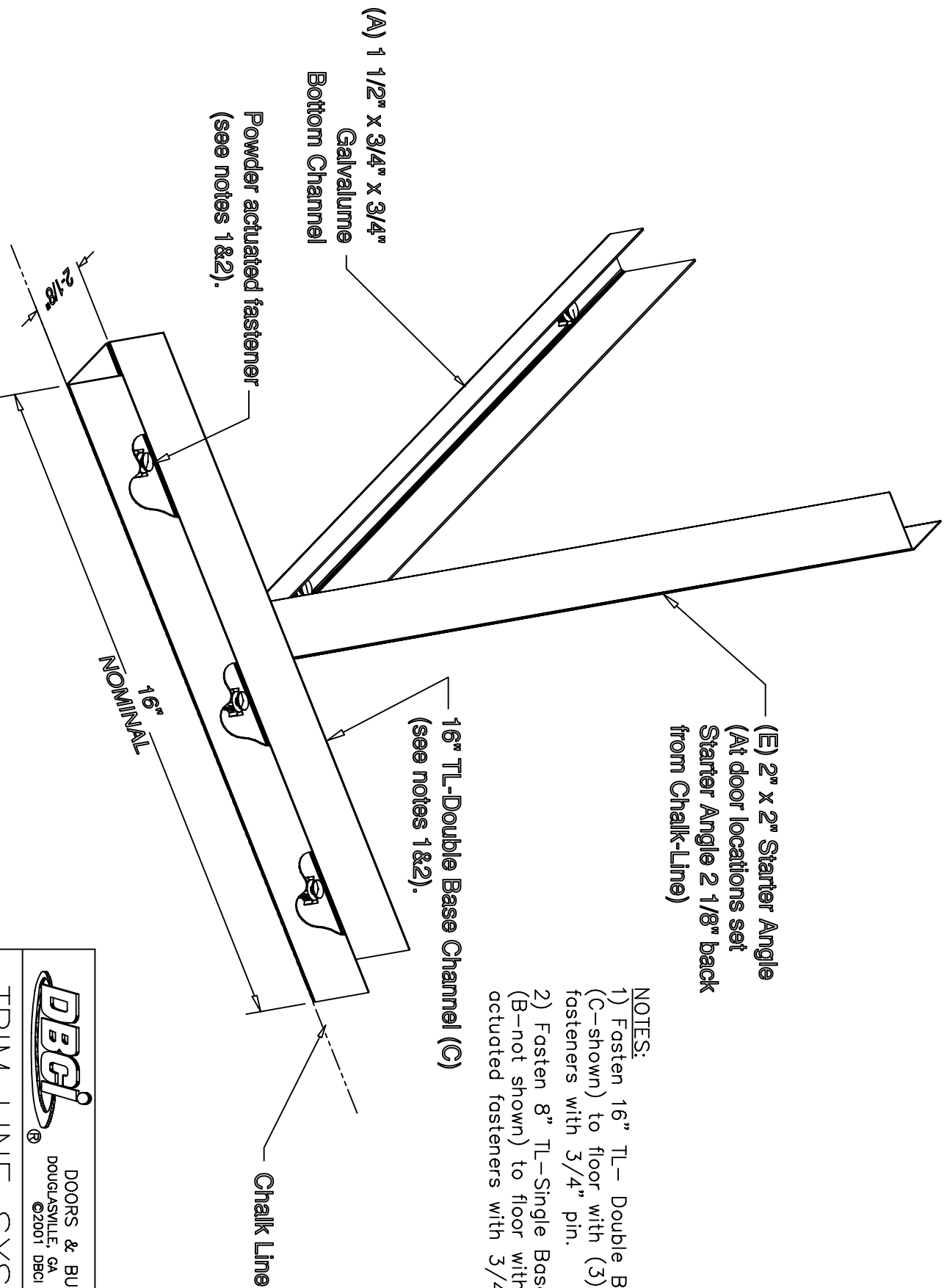
APPROVALS		DATE:	
DRAWN	AUS	09/15/03	
CHECKED	BOD Hammond	10/02/03	
APPROVED	Bob Hammond	10/02/03	

TRIM LINE SYSTEM 300 INSTALLATION INSTRUCTIONS



DOORS & BUILDING COMPONENTS
DOUGLASVILLE, GA CHANDLER, AZ HOUSTON, TX
©2001 DBCI ALL RIGHTS RESERVED

SIZE	DRAWING NUMBER	REV.
A	400-960-0004.10	-
SCALE:	1:50	
SHEET	10	OF 20



(E) 2" x 2" Starter Angle
 (At door locations set
 Starter Angle 2 1/8" back
 from Chalk-Line)

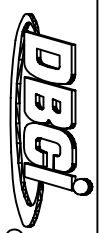
16" TL-Double Base Channel (C)
 (see notes 1&2).

(A) 1 1/2" x 3/4" x 3/4"
 Galvalume
 Bottom Channel
 Powder actuated fastener
 (see notes 1&2).

- NOTES:**
- 1) Fasten 16" TL- Double Base Channel (C-shown) to floor with (3) powder actuated fasteners with 3/4" pin.
 - 2) Fasten 8" TL-Single Base Channel (B-not shown) to floor with (2) powder actuated fasteners with 3/4" pin.

Trim-Line System

APPROVALS		DATE:
DRAWN	AJS	082503
CHECKED	BOB Hammond	10/02/03
APPROVED	Bob Hammond	10/02/03

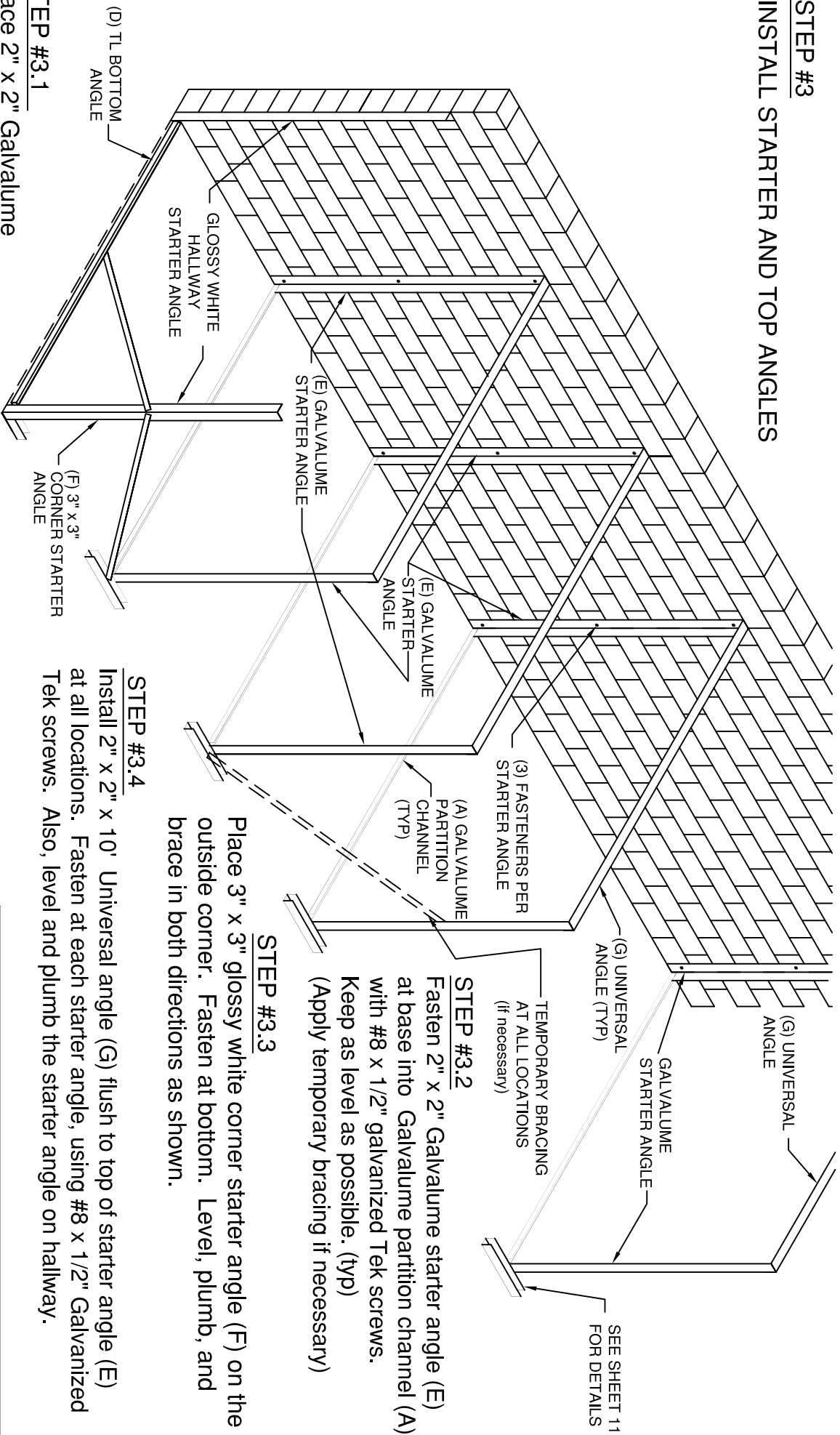


DOORS & BUILDING COMPONENTS
 DOUGLASVILLE, GA CHANDLER, AZ HOUSTON, TX
 ©2001 DBCI ALL RIGHTS RESERVED

**TRIM LINE SYSTEM 300
 INSTALLATION INSTRUCTIONS**

SIZE	DRAWING NUMBER	REV.
A	400-960-0004.11	-
SCALE:	SCALE	
SHEET	11	OF 20

STEP #3
INSTALL STARTER AND TOP ANGLES



STEP #3.1

Place 2" x 2" Galvalume starter angle (E) against wall at bottom angle (A) as shown. Plumb starter angle with level and fasten to wall using (3) powder actuated fasteners.

For hallway starter angle use the same method using 2" x 2" glossy white starter angle.

STEP #3.2

Fasten 2" x 2" Galvalume starter angle (E) at base into Galvalume partition channel (A) with #8 x 1/2" galvanized Tek screws. Keep as level as possible. (typ) (Apply temporary bracing if necessary)

STEP #3.3

Place 3" x 3" glossy white corner starter angle (F) on the outside corner. Fasten at bottom. Level, plumb, and brace in both directions as shown.

STEP #3.4

Install 2" x 2" x 10' Universal angle (G) flush to top of starter angle (E) at all locations. Fasten at each starter angle, using #8 x 1/2" Galvanized Tek screws. Also, level and plumb the starter angle on hallway.

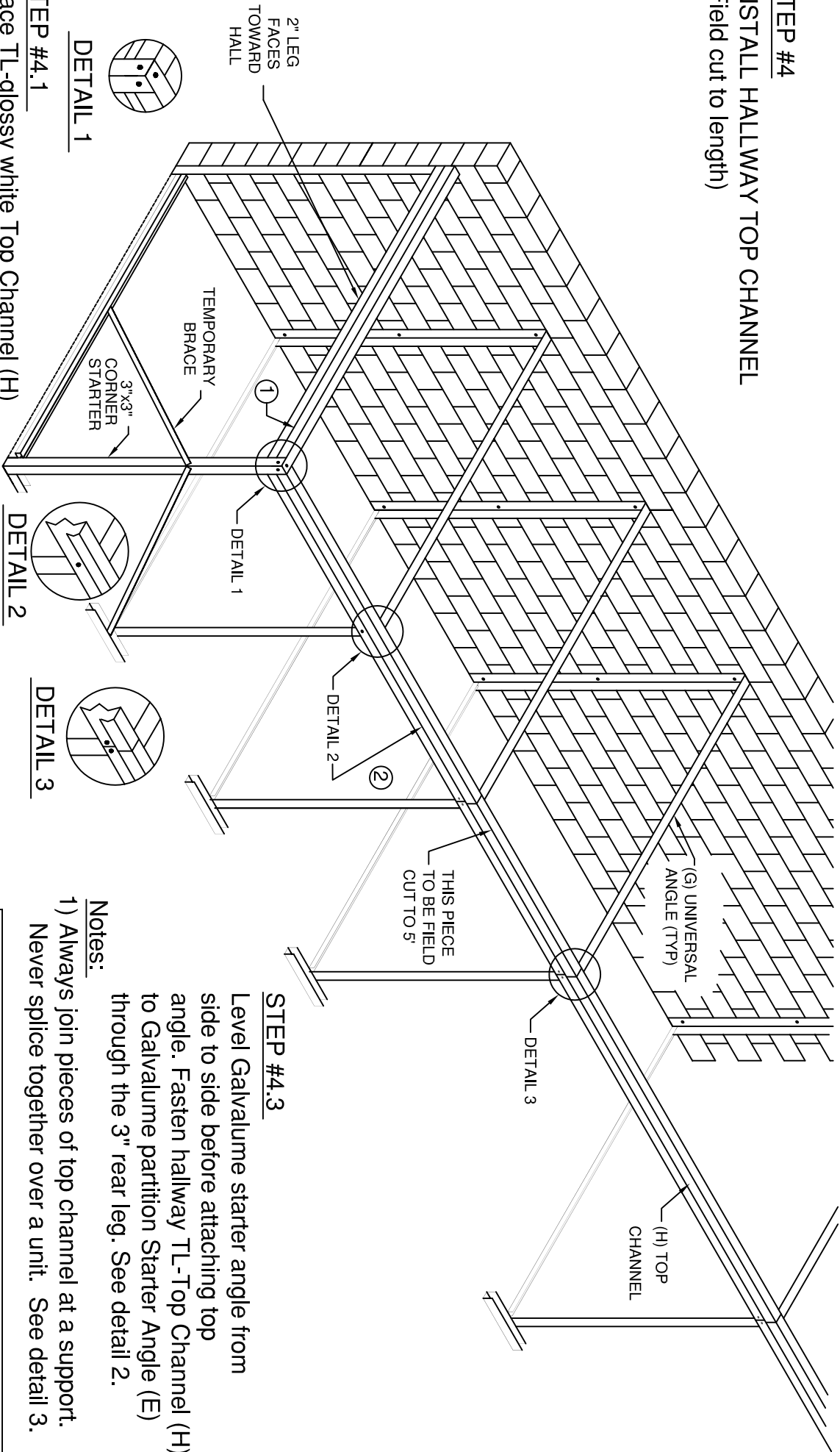
APPROVALS		DATE:	
DRAWN	AJS	082503	
CHECKED	Bob Hammond	10/02/03	
APPROVED	Bob Hammond	10/02/03	

SIZE	DRAWING NUMBER	REV.
	TRIM LINE SYSTEM 300	
SCALE	INSTALLATION INSTRUCTION	
SCALE	-400-960-0004.12	
SHEET	12	OF 20



DOORS & BUILDING COMPONENTS
DOUGLASVILLE, GA CHANDLER, AZ HOUSTON, TX
©2001 DBCI ALL RIGHTS RESERVED

STEP #4
INSTALL HALLWAY TOP CHANNEL
 (Field cut to length)



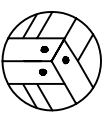
STEP #4.3

Level Galvalume starter angle from side to side before attaching top angle. Fasten hallway TL-Top Channel (H) to Galvalume partition Starter Angle (E) through the 3" rear leg. See detail 2.

Notes:

- 1) Always join pieces of top channel at a support. Never splice together over a unit. See detail 3.

DETAIL 1



DETAIL 2



DETAIL 3



STEP #4.1
 Place TL-glossy white Top Channel (H) ① to the face of the starter angle holding top channel even with the top of the starter angle. Fasten with #8 x 1/2" teks at each starter angle(E).

STEP #4.2

Place TL-glossy white Top Channel (H) ② to the face of Galvalume top and starter angles previously installed. Fasten TL-Top Channel at outside corner of corner starter angle and at the Starter Angles(E). See detail 1.

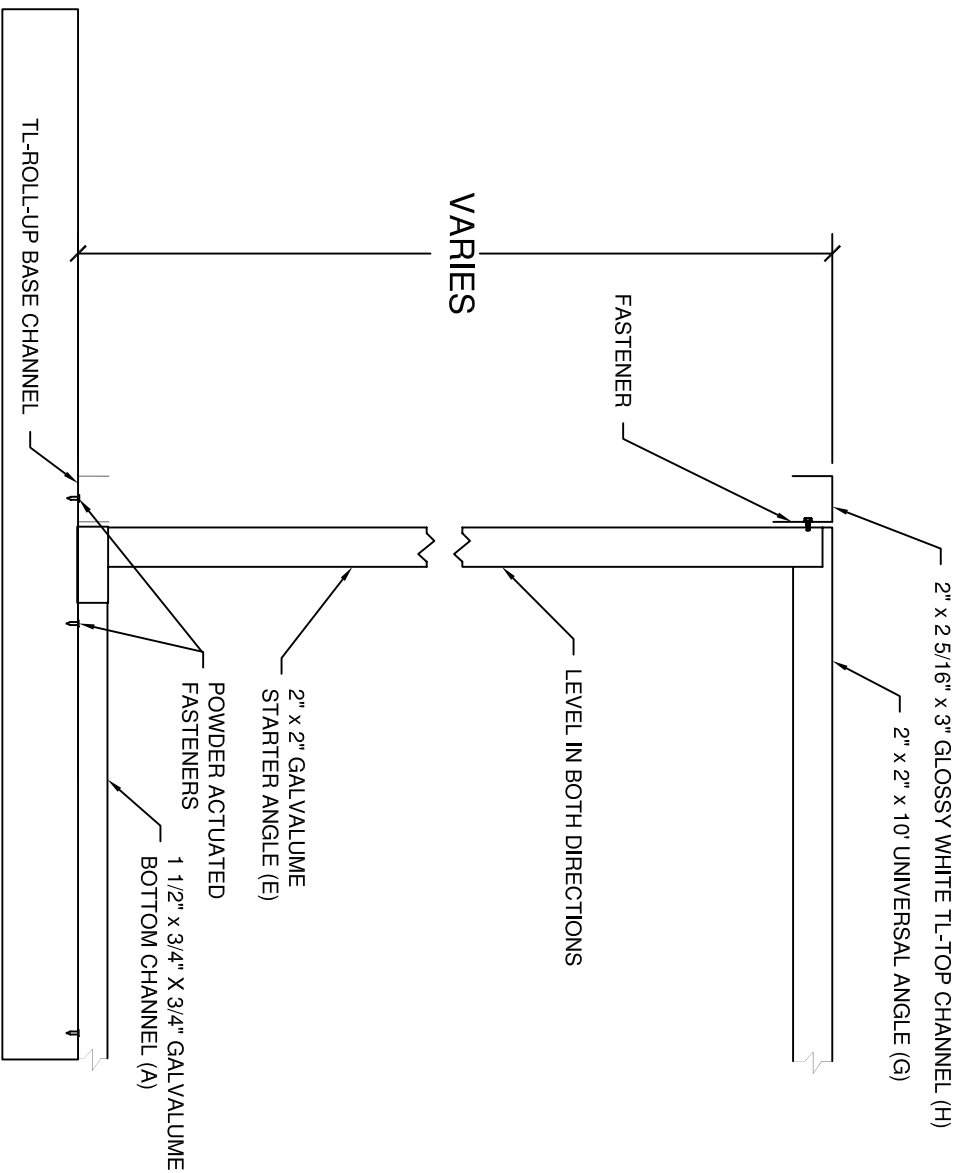
APPROVALS		DATE:
DRAWN	AJS	082503
CHECKED	Bob Hammond	10/02/03
APPROVED	Bob Hammond	10/02/03

SIZE	DRAWING NUMBER	REV.
A	-400-960-0004.13	
SCALE:	SHEET 13 OF 20	

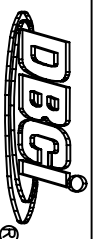


DOORS & BUILDING COMPONENTS
 DOUGLASVILLE, GA CHANDLER, AZ HOUSTON, TX
 ©2001 DBCI ALL RIGHTS RESERVED

TRIM LINE SYSTEM 300
INSTALLATION INSTRUCTION



TYPICAL FRAMING FOR HALLWAY SYSTEMS
AT SINGLE OR DOUBLE ROLLUP FRAMES

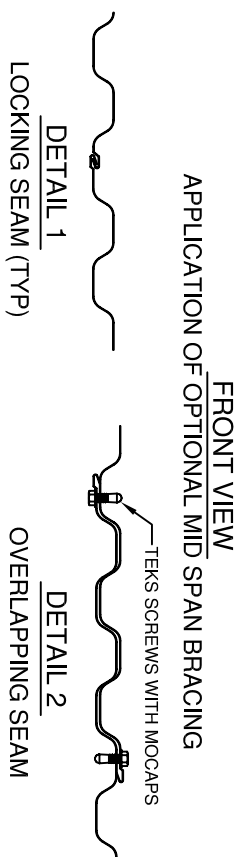
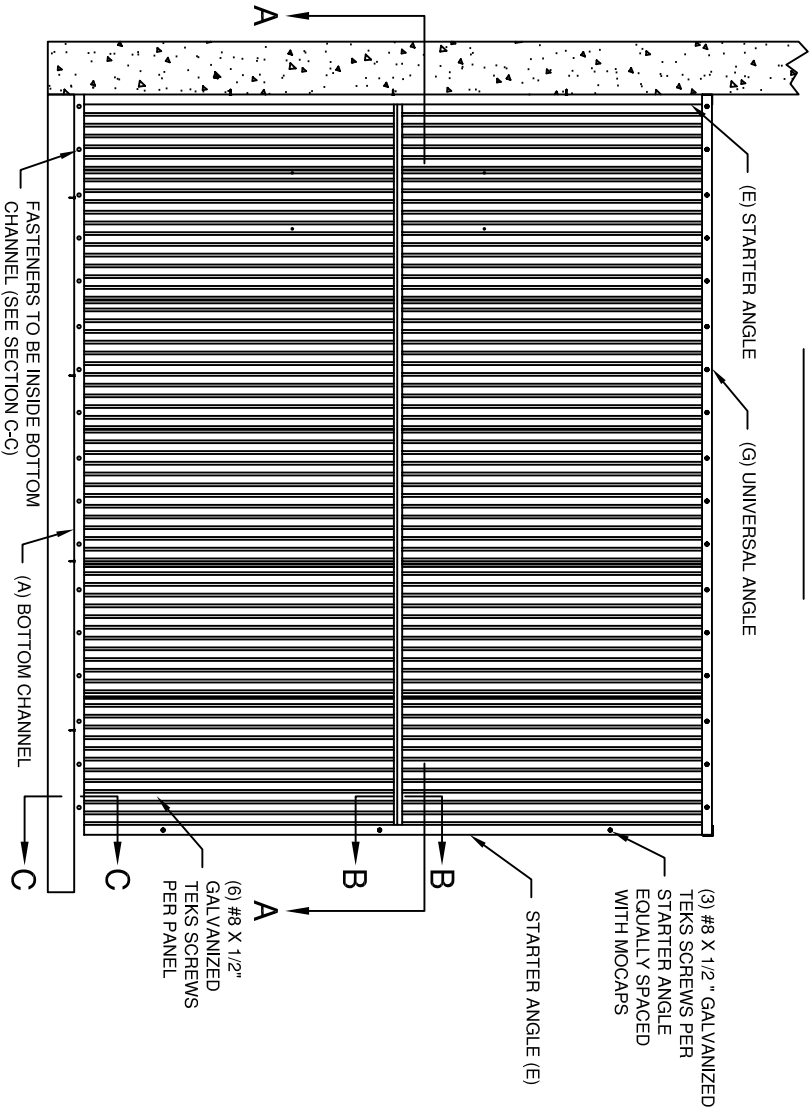
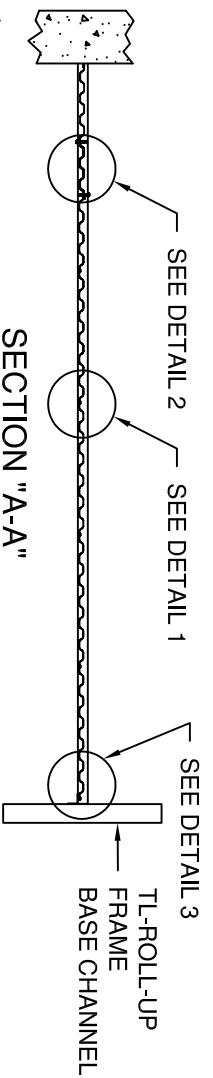


DOORS & BUILDING COMPONENTS
DOUGLASVILLE, GA CHANDLER, AZ HOUSTON, TX
©2001 DBCI ALL RIGHTS RESERVED

**TRIM LINE SYSTEM 300
INSTALLATION INSTRUCTION**

APPROVALS		DATE:
DRAWN AJS		10/02/03
CHECKED BOB	Hammond	10/02/03
APPROVED BOB	Hammond	10/02/03

SIZE	DRAWING NUMBER	REV.
SCALE:	-400-960-0004.14	
SHEET 14	OF 20	



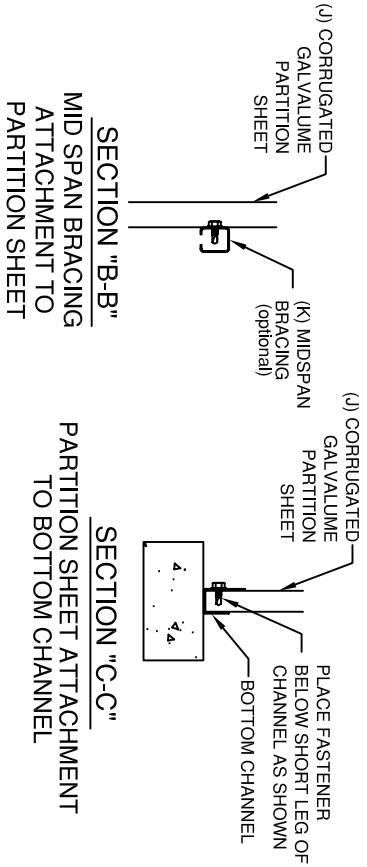
STEP #5
INSTALLATION OF PARTITION SHEETS AND MIDSPAN

STEP #5.1

Decrimp Galvalume partition sheet at all 4 corners where edges have been crimped together by the cutting operation during manufacturing.


NOTES:

- 1) When installing unit partition, place Galvalume partition sheets(J) inside bottom channel and up against top angle locking sheets together as shown in detail 1.
- 2) After partition sheets are locked together they may not work out to be the correct length for a unit. In that case overlap the 2 sheets nearest the wall as shown in detail 2.
- 3) When installing midspan (K) in step 6, use 18 screws per 10' piece of midspan. (3 screws per Galvalume partition sheet.) Midspan is to be attached to side of partition the starter angle is on. (See detail 3).




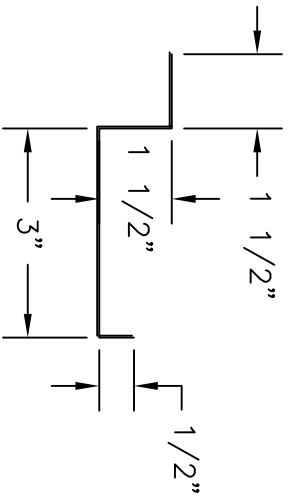
Trim Line System

APPROVALS		DATE:
DRAWN	AJS	082503
CHECKED	BOB Hammond	10/02/03
APPROVED	BOB Hammond	10/02/03


DOORS & BUILDING COMPONENTS
 DOUGLASSVILLE, GA CHANDLER, AZ HOUSTON, TX
 ©2001 DBCI ALL RIGHTS RESERVED

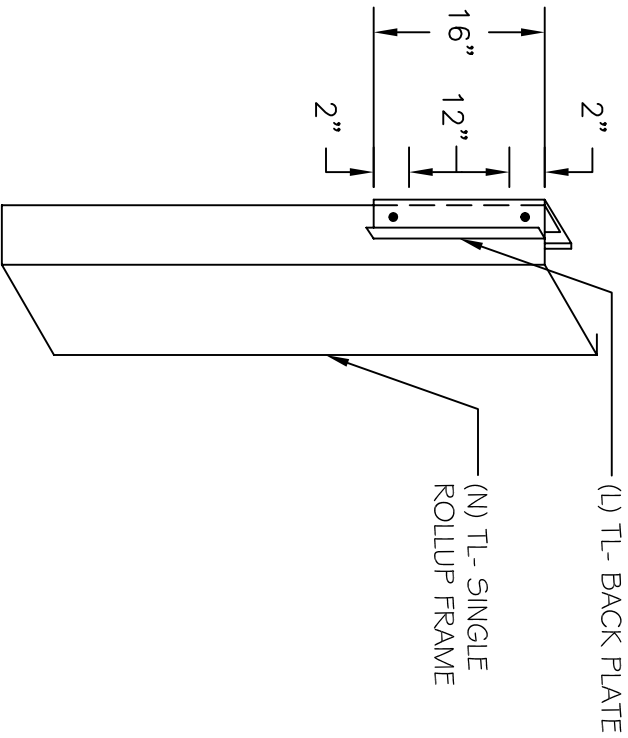
TRIM LINE STEM 300
INSTALLATION INSTRUCTION

SIZE	DRAWING NUMBER	REV.
	-400-960-0004.15	
SCALE:	SHEET	OF
	15	20

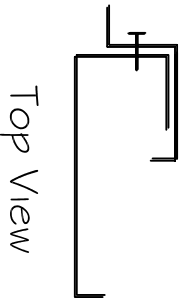


- 1) Measure from the base of the Roll Up Frame to Door opening height.
- 2) Fasten at minimum of 2 locations per side.

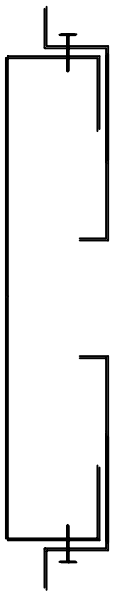
(L) TL- Back Plate



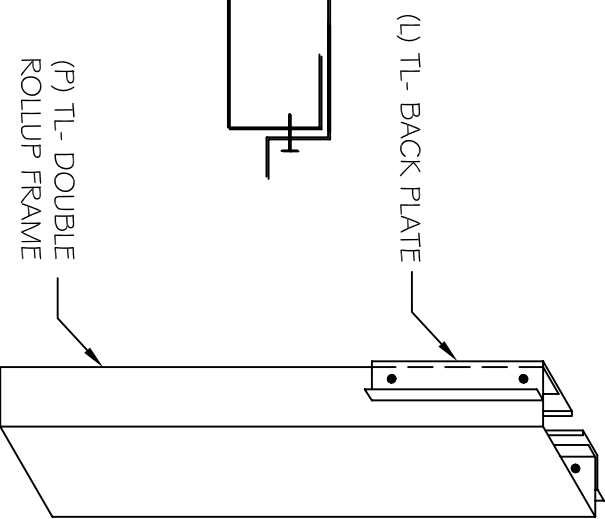
3D VIEW



Top View



Top View



3D VIEW

Trim-Line System



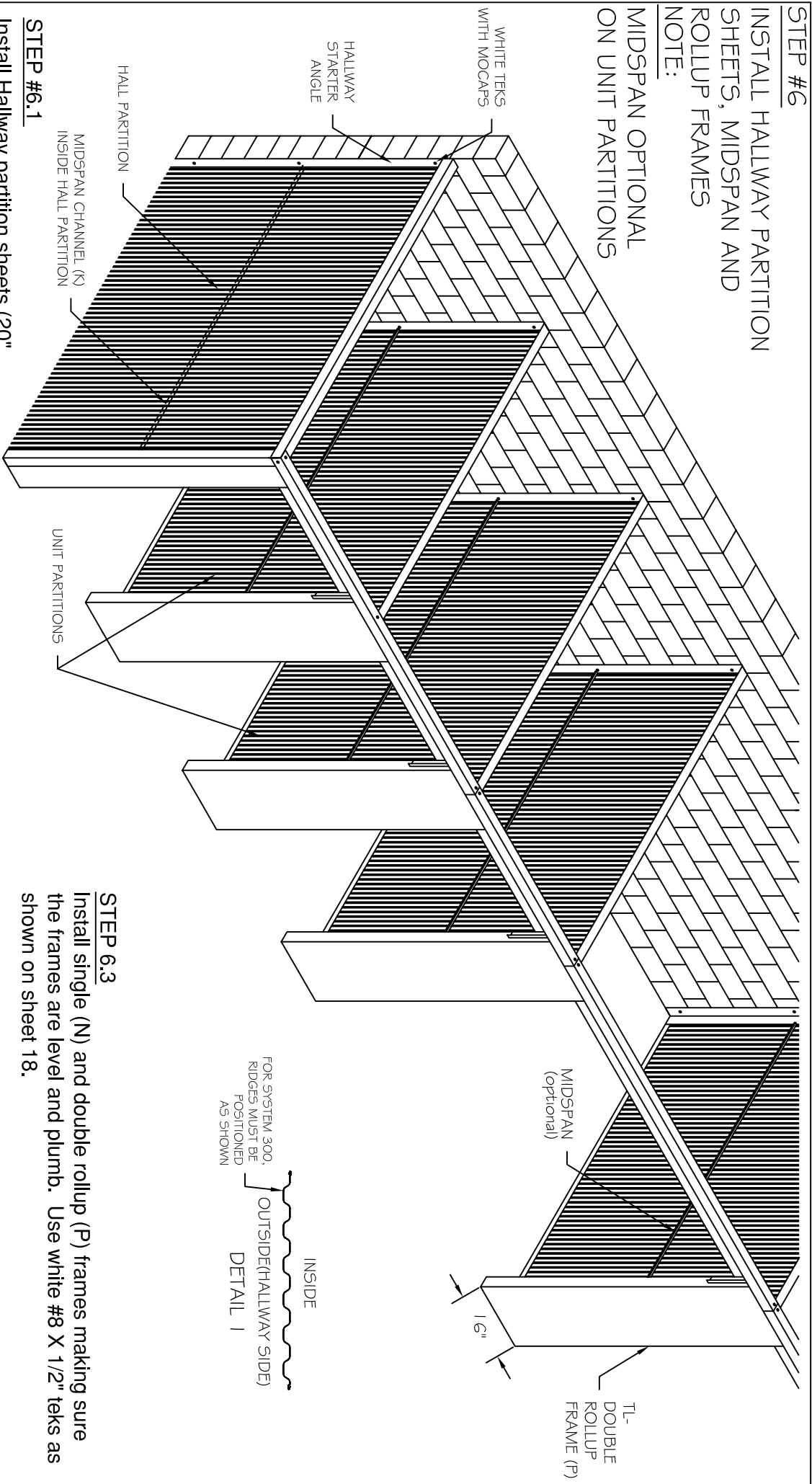
DOORS & BUILDING COMPONENTS
DOUGLASVILLE, GA CHANDLER, AZ HOUSTON, TX
©2001 DBCI ALL RIGHTS RESERVED

**TRIM LINE SYSTEM 300
INSTALLATION INSTRUCTION**

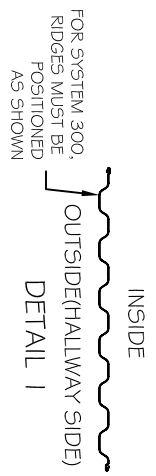
APPROVALS		DATE:	
DRAWN AUS	082503		
CHECKED B Hammond	10/02/03		
APPROVED B Hammond	10/02/03		
SIZE A	DRAWING NUMBER -400-960-0004.16	SCALE:	REV.
		SHEET 16	OF 20

STEP #6
INSTALL HALLWAY PARTITION SHEETS, MIDSPAN AND ROLLUP FRAMES

NOTE:
MIDSPAN OPTIONAL ON UNIT PARTITIONS



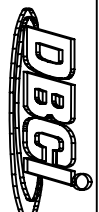
STEP 6.3
 Install single (N) and double rollup (P) frames making sure the frames are level and plumb. Use white #8 X 1/2" teks as shown on sheet 18.



STEP #6.1
 Install Hallway partition sheets (20" glossy white corrugated hallway partition). Fasten from outside with #8 x 1/2" white Tek screws. Use (3) #8 x 1/2" white Tek screws with mocaps at hallway starter angle. Install Unit partition sheets in the same manner using #8 x1/2" galv. Tek screws.

STEP #6.2
 Level the midspan bracing (K) on the inside of Hall partition. Fasten from outside with white Tek screws on every other rib in corrugation. Install unit partition midspan bracing in the same manner, using galvanized Tek screws. See section "B-B" on sheet 15.

APPROVALS		DATE:
DRAWN	AJS	091703
CHECKED	Nolley	10/02/03
APPROVED	B Hammond	10/02/03

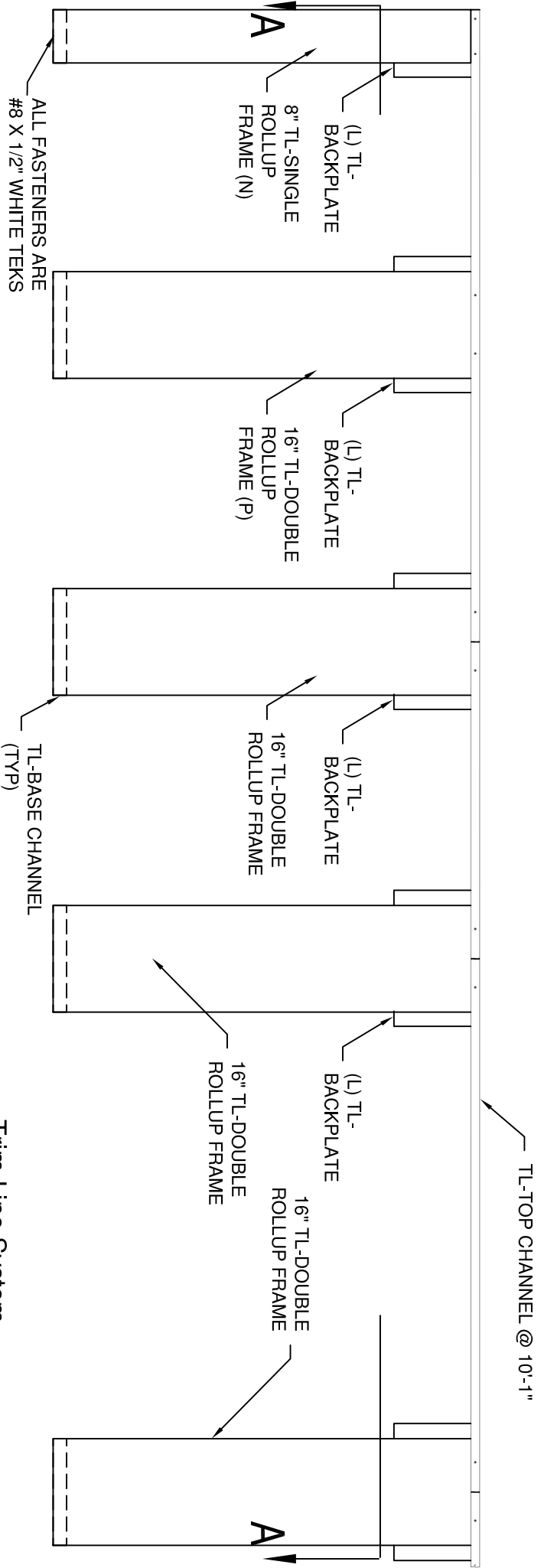
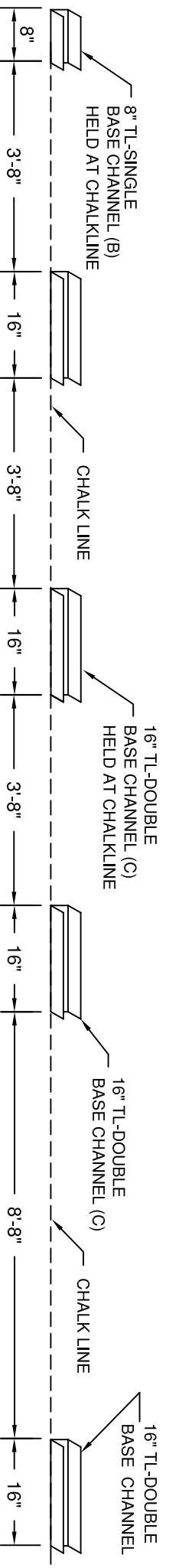


DOORS & BUILDING COMPONENTS
 DOUGLASVILLE, GA CHANDLER, AZ HOUSTON, TX
 ©2001 DBCI ALL RIGHTS RESERVED

**TRIM LINE SYSTEM 300
 INSTALLATION INSTRUCTION**

SIZE	DRAWING NUMBER	REV.
A	-400-960-0004.17	
SCALE:	SHEET 17 OF 20	

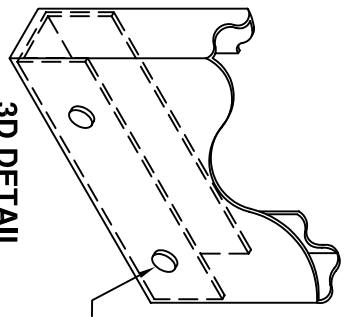
TEKS SCREW LOCATIONS



ALL FASTENERS ARE #8 X 1/2" WHITE TEKS

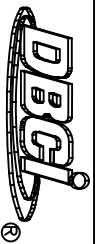


FASTEN ROLLUP FRAME AT BASE ON FRONT USING TWO #8 TEKS SCREWS, EVENLY SPACED.



#8 X 1/2" WHITE TEKS

APPROVALS		DATE:
DRAWN	L. NALLEY	6/17/03
CHECKED	B. Hammond	10/02/03
APPROVED	B. Hammond	10/02/03



Trim-Line System

DOORS & BUILDING COMPONENTS
DOUGLASVILLE, GA CHANDLER, AZ HOUSTON, TX
©2001 DBCI ALL RIGHTS RESERVED

**TRIM LINE SYSTEM 300
INSTALLATION INSTRUCTION**

DRAWING NUMBER
-400-960-0004.18

SCALE: SHEET 18 OF 20

STEP #7

INSTALLATION OF CORRUGATED INTERIOR FILLER PANEL

STEP #7.1

Mark interior rollup door height on the face of the rollup frame. (Snapping a line across several openings is recommended)

STEP #7.2

Fasten filler panel sheet (R) to inward legs of the TL-corr. back plate (L or M) using 2 (#8 x 1/2) galv. teks screws per side. (minimum 2, at least 1 - per foot) hold panel level.

STEP #7.3

Fasten the filler side angle (S) over top of filler panel. Fasten to sheet using 1 (#8 x 1/2) teks screw on high rib of sheet location.

STEP #7.4

Fasten TL-filler panel bottom channel (Q) with the 2 1/2" leg facing outside. Make sure it is even with the door height marks on the rollup frame. Hold filler panel bottom channel in place and fasten uniformly at each side with (#8 x 1/2") teks. Place one screw in the middle of bottom channel on face.

NOTE:

Quantity of fasteners depends on the size of the filler panel. Nine (9) fasteners are required for 16" filler panel. Do not overtighten screws in order to avoid dimpling the material.

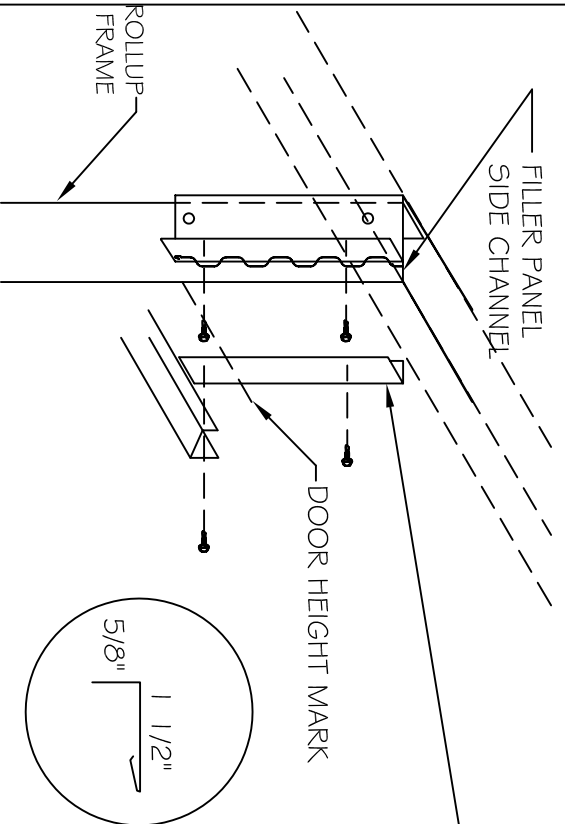
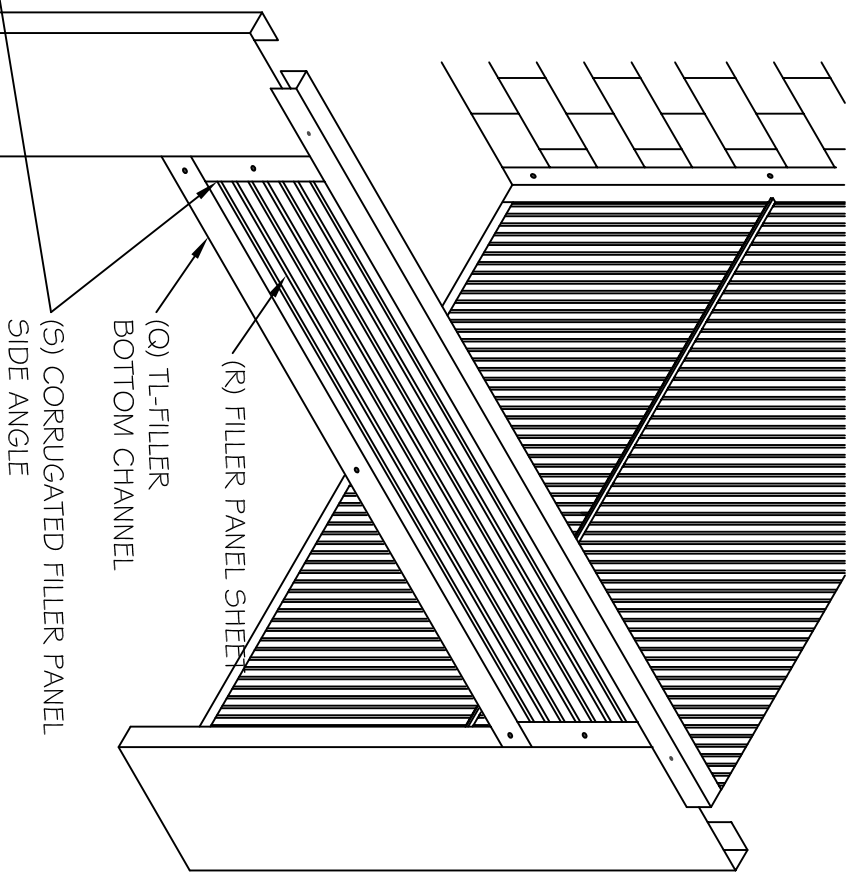
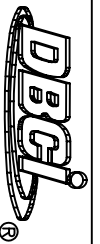


FIGURE 1

(S) CORRUGATED FILLER PANEL SIDE ANGLE



TRIM-LINE SYSTEM



DOORS & BUILDING COMPONENTS
DOUGLASVILLE, GA CHANDLER, AZ HOUSTON, TX
©2001 DBCI ALL RIGHTS RESERVED

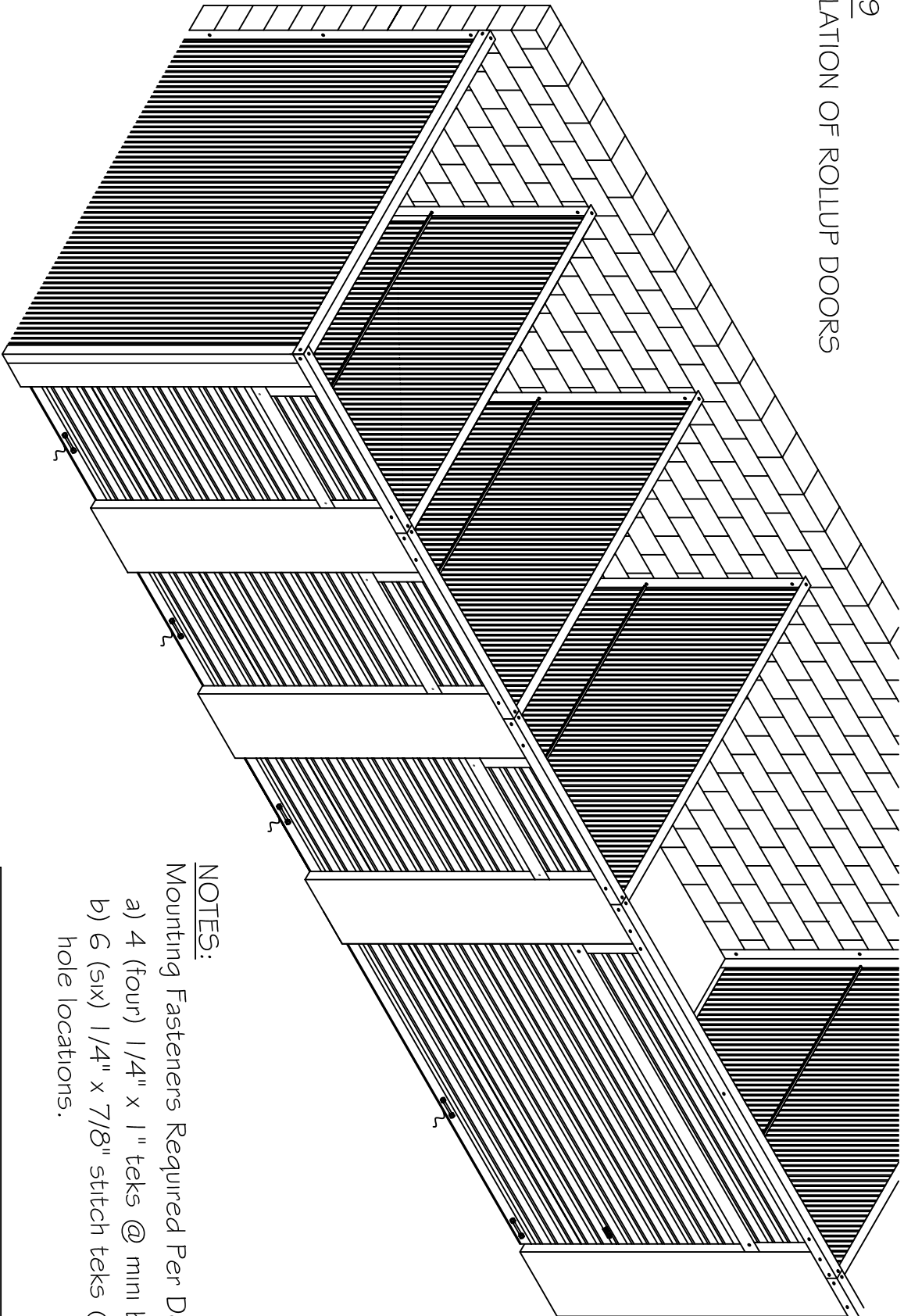
**TRIM LINE SYSTEM 300
INSTALLATION INSTRUCTION**

APPROVALS		DATE:	
DRAWN	AJS	082503	
CHECKED	B Hammond	10/02/03	
APPROVED	B Hammond	10/02/03	

SIZE	DRAWING NUMBER	REV.
A	-400-960-0004.19	
SCALE:	SHEET	OF
	19	20

STEP #9

INSTALLATION OF ROLLUP DOORS



NOTES:

Mounting Fasteners Required Per Door:

- a) 4 (four) 1/4" x 1" teks @ mini brackets.
- b) 6 (six) 1/4" x 7/8" stitch teks @ guides hole locations.

NOTE:

SEE ROLLUP DOOR
INSTALLATION INSTRUCTIONS
ON SHEET 3

Trim Line System

APPROVALS	DATE:
DRAWN L. NALLEY	6/17/03
CHECKED B Hammond	10/02/03
APPROVED B Hammond	10/02/03



DOORS & BUILDING COMPONENTS
DOUGLASVILLE, GA CHANDLER, AZ HOUSTON, TX
©2001 DBCI ALL RIGHTS RESERVED

TRIM LINE SYSTEM 300
INSTALLATION INSTRUCTION

SIZE	DRAWING NUMBER	REV.
	-400-960-0004.20	
SCALE:	SHEET	OF
	20	20



TRIM LINE SYSTEM 500 INSTALLATION INSTRUCTIONS

DRAWING No.	REVISION	REV. DATE	TYPE OF DRAWING
A-400-961-0005.00	-	4/9/03	TRIM LINE SYSTEM 500 COVER SHEET
A-400-961-0005.01	-	4/9/03	TRIM LINE SYSTEM 500 ROLLUP DOOR MOUNTING DETAILS
A-400-961-0005.02	-	4/9/03	TRIM LINE SYSTEM 500 MECHANICAL DETAILS
A-400-961-0005.03	-	4/9/03	TRIM LINE SYSTEM 500 MECHANICAL DETAILS
A-400-961-0005.04	-	4/9/03	TRIM LINE SYSTEM 500 MECHANICAL DETAILS
A-400-961-0005.05	-	4/9/03	TRIM LINE SYSTEM 500 MECHANICAL DETAILS
A-400-961-0005.06	-	4/9/03	TRIM LINE SYSTEM 500 MECHANICAL DETAILS
A-400-961-0005.07	-	4/9/03	TRIM LINE SYSTEM 500 INSTALLATION INSTRUCTIONS
A-400-961-0005.08	-	4/9/03	TRIM LINE SYSTEM 500 INSTALLATION INSTRUCTIONS
A-400-961-0005.09	-	4/9/03	TRIM LINE SYSTEM 500 INSTALLATION INSTRUCTIONS
A-400-961-0005.10	-	4/9/03	TRIM LINE SYSTEM 500 INSTALLATION INSTRUCTIONS
A-400-961-0005.11	-	4/9/03	TRIM LINE SYSTEM 500 INSTALLATION INSTRUCTIONS
A-400-961-0005.12	-	4/9/03	TRIM LINE SYSTEM 500 INSTALLATION INSTRUCTIONS
A-400-961-0005.13	-	4/9/03	TRIM LINE SYSTEM 500 INSTALLATION INSTRUCTIONS
A-400-961-0005.14	-	4/9/03	TRIM LINE SYSTEM 500 INSTALLATION INSTRUCTIONS
A-400-961-0005.15	-	4/9/03	TRIM LINE SYSTEM 500 INSTALLATION INSTRUCTIONS
A-400-961-0005.16	-	4/9/03	TRIM LINE SYSTEM 500 INSTALLATION INSTRUCTIONS
A-400-961-0005.17	-	4/9/03	TRIM LINE SYSTEM 500 INSTALLATION INSTRUCTIONS
A-400-961-0005.18	-	4/9/03	TRIM LINE SYSTEM 500 INSTALLATION INSTRUCTIONS

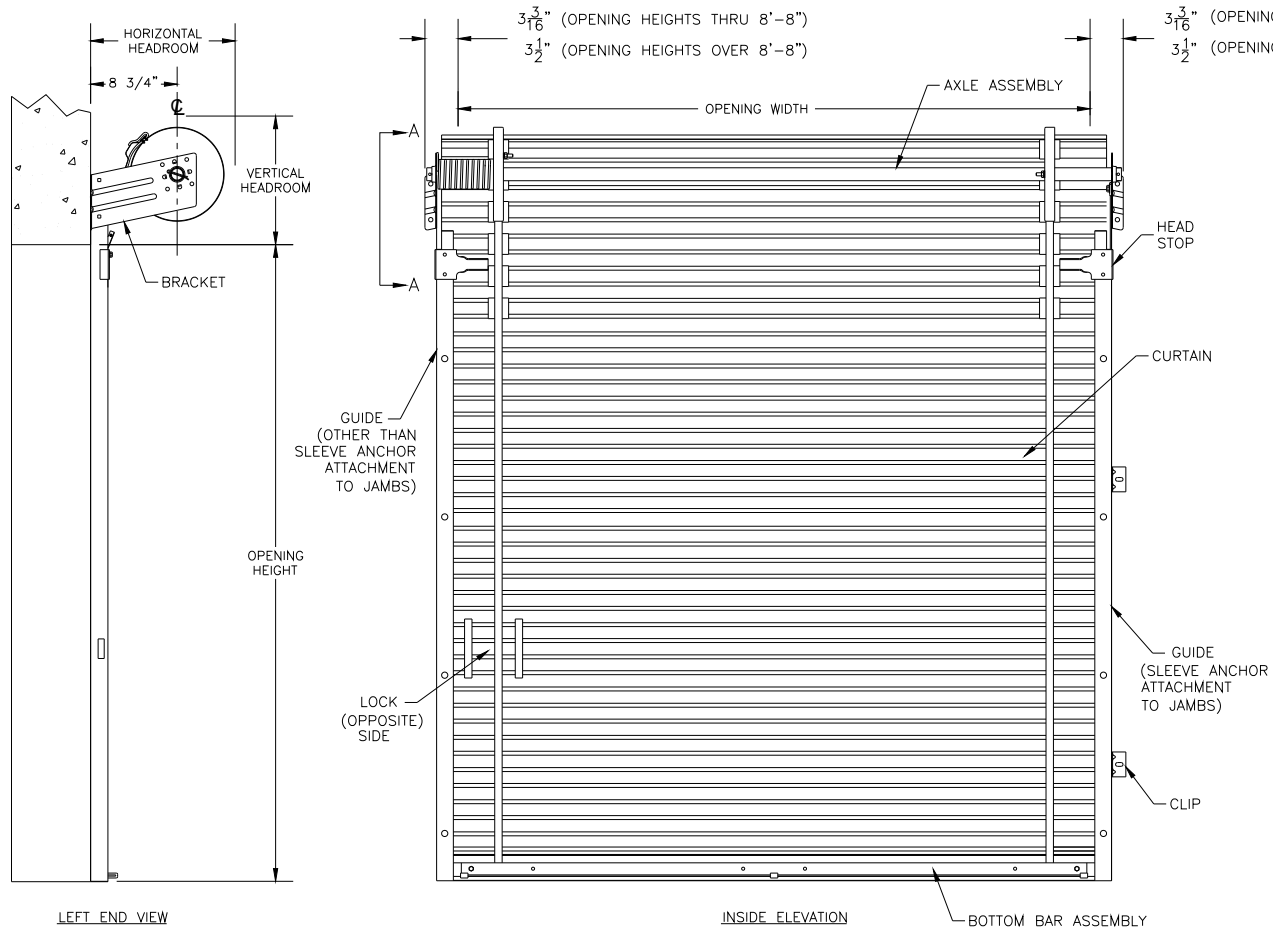


DOORS & BUILDING COMPONENTS
DOUGLASVILLE, GA CHANDLER, AZ HOUSTON, TX
©2001 DBCI ALL RIGHTS RESERVED

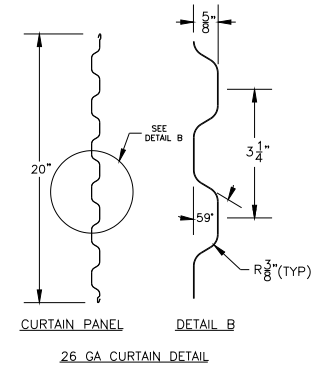
TRIM LINE SYSTEM 500
INSTALLATION INSTRUCTIONS

APPROVALS	DATE:
DRAWN J. DAVIS	4/9/03
CHECKED Bob Hammond	4/9/03
APPROVED Bob Hammond	4/9/03

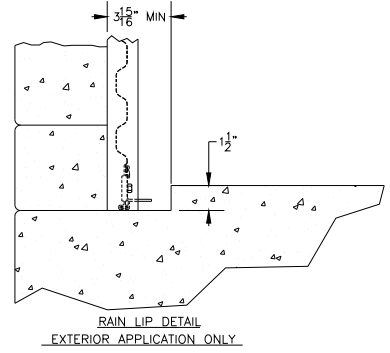
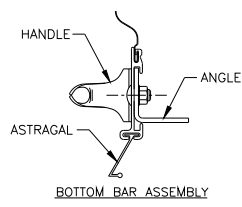
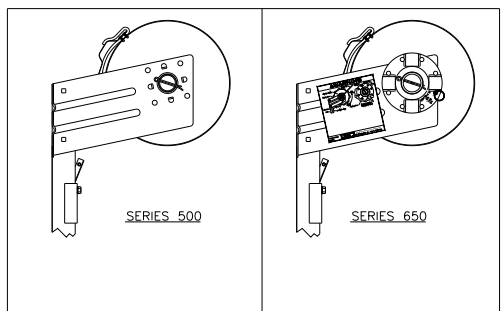
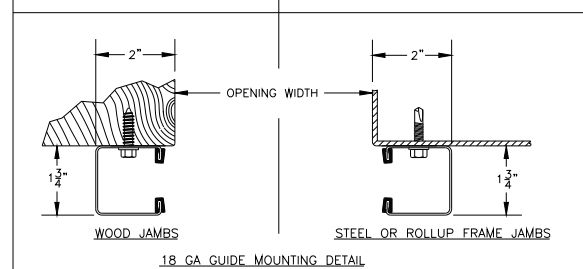
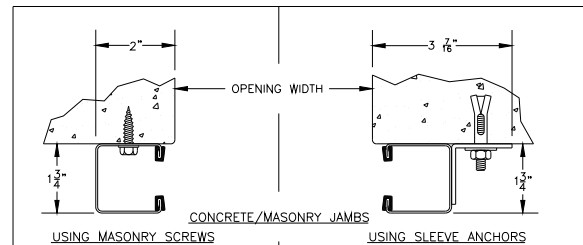
SIZE A	DRAWING NUMBER -400-961-0005.00	REV. -
SCALE: NONE	SHEET 1	OF 19



OPENING HEIGHT	VERTICAL HEADROOM	HORIZONTAL HEADROOM
THRU 7'-4"	15 1/2"	17"
THRU 8'-8"	16"	17 1/2"
THRU 10'-0"	18"	19 1/4"



- NOTES:
- DOOR SERIES DESCRIPTIONS:
500-BEARING BRACKETS
650-LH TENSIONER BRACKET, RH BEARING BRACKET
 - CLEARANCES SHOWN ARE RECOMMENDED, LESSER CLEARANCES MAY BE POSSIBLE, CONSULT THE MANUFACTURER.
 - ALL OPENING PREPARATION, ELECTRICAL POWER AND FIELD PAINTING SHALL BE PROVIDED BY OTHERS.
 - CURTAIN FINISH SHALL BE SILICONIZED POLYESTER PRE-PAINT OVER GALVANIZED GRADE E STEEL.
 - GUIDES, BRACKETS, BOTTOM BAR ANGLE, HEAD STOPS, LOCK AND HANDLES ARE ZINC COATED. MINI SLIDE LATCH SHALL BE STAINLESS STEEL.
 - UNLESS OTHERWISE NOTED, LOCKING SHALL BE BY SINGLE MINI SLIDE LATCH BOLTED TO CURTAIN AND SUITABLE FOR DOUBLE PADLOCKS.

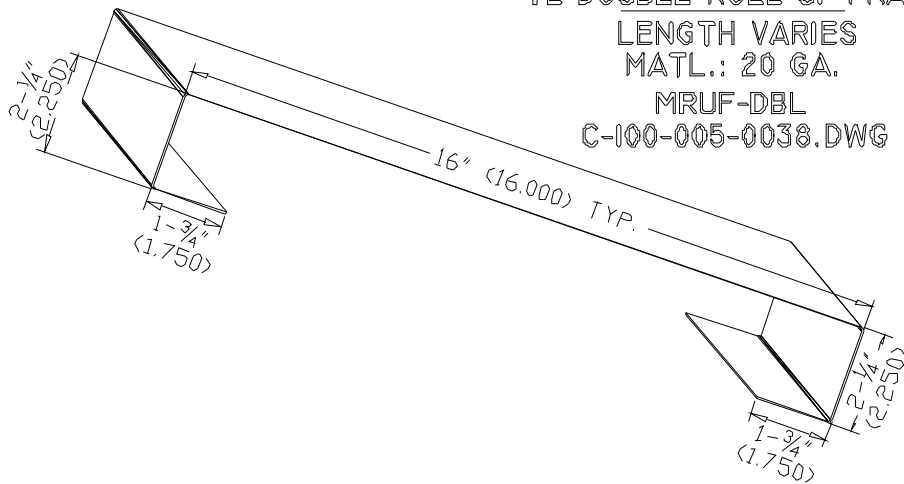


DBCI MINI DOOR SERIES: 500/650
DOORS & BUILDING COMPONENTS
DOUGLASVILLE, GA CHANDLER, AZ HOUSTON, TX
©2001 DBCI ALL RIGHTS RESERVED

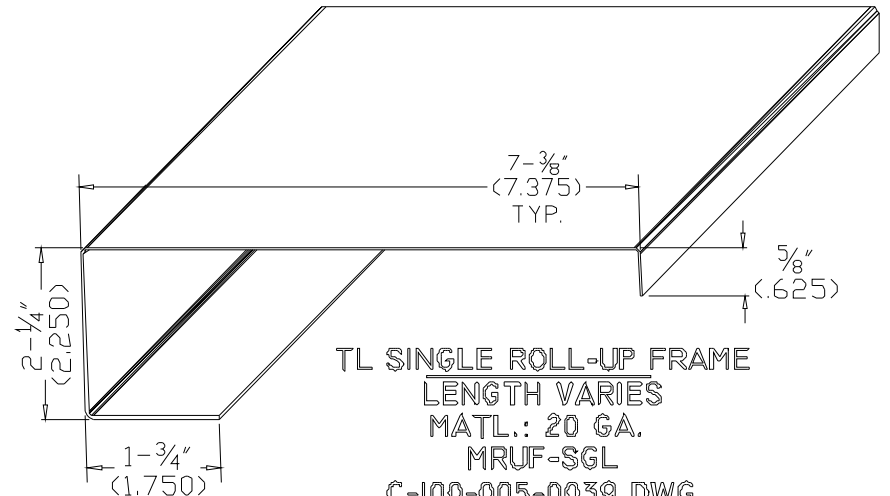
TRIM LINE SYSTEM 500 INSTALLATION INSTRUCTIONS

APPROVALS		DATE:	
DRAWN J. DAVIS		3/25/03	
CHECKED Bob Hammond		4/8/03	
APPROVED Bob Hammond		4/9/03	
SIZE	DRAWING NUMBER	REV.	
	-400-961-0005.01	-	
SCALE:	NONE	SHEET	OF
		2	19

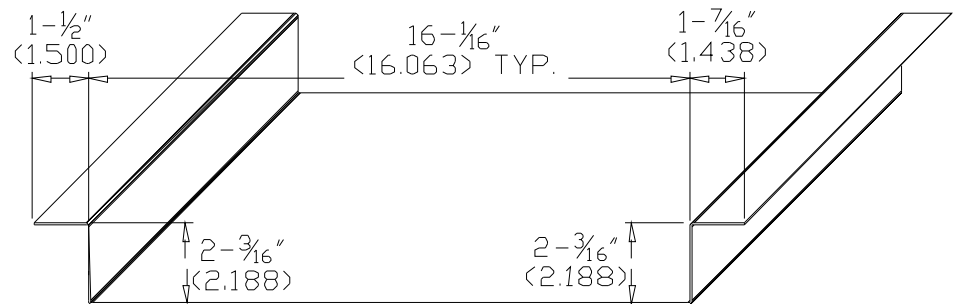
TL DOUBLE ROLL-UP FRAME
 LENGTH VARIES
 MATL.: 20 GA.
 MRUF-DBL
 C-100-005-0038.DWG



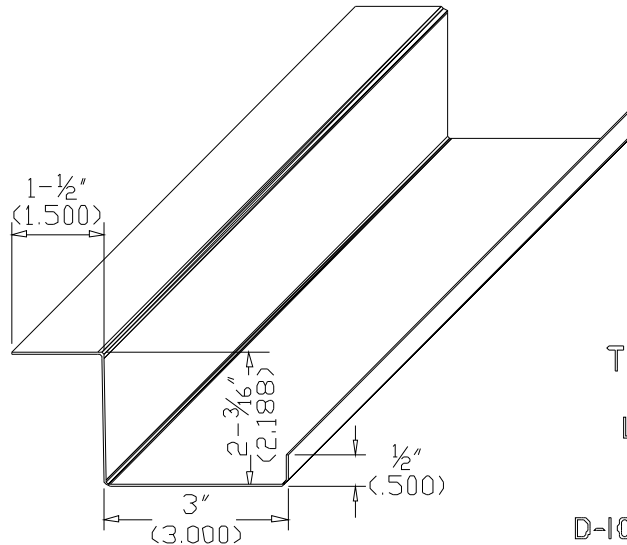
TL SINGLE ROLL-UP FRAME
 LENGTH VARIES
 MATL.: 20 GA.
 MRUF-SGL
 C-100-005-0039.DWG



TL DOUBLE FLUSH BACK PLATE
 LENGTH VARIES
 MATL.: 20 GA.
 DOFL
 D-100-005-0040.DWG



TL SINGLE FLUSH BACK PLATE
 LENGTH VARIES
 MATL.: 20 GA.
 SIFL
 D-100-005-0039.DWG



PARTS IDENTIFICATION ONLY



DOORS & BUILDING COMPONENTS
 DOUGLASVILLE, GA CHANDLER, AZ HOUSTON, TX
 ©2001 DBCI ALL RIGHTS RESERVED

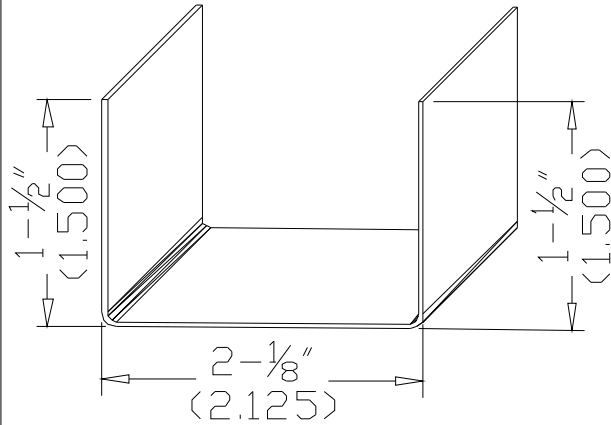
**TRIM LINE SYSTEM 500
 INSTALLATION INSTRUCTIONS**

APPROVALS		DATE:
DRAWN	J. DAVIS	3/21/03
CHECKED	Bob Hammond	3/25/03
APPROVED	Bob Hammond	4/9/03

SIZE	DRAWING NUMBER	REV.
	-400-961-0005.02	-
SCALE:	NONE	
	SHEET 3 OF 19	

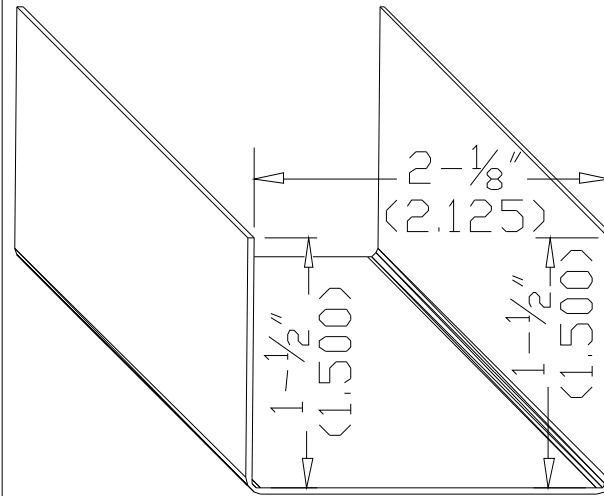
**SINGLE ROLL-UP FRAME
BASE CHANNEL**

LENGTH: VARIES
MATL.: 20 GA.
BASE + SIZE + COLOR
D-100-005-0045.DWG

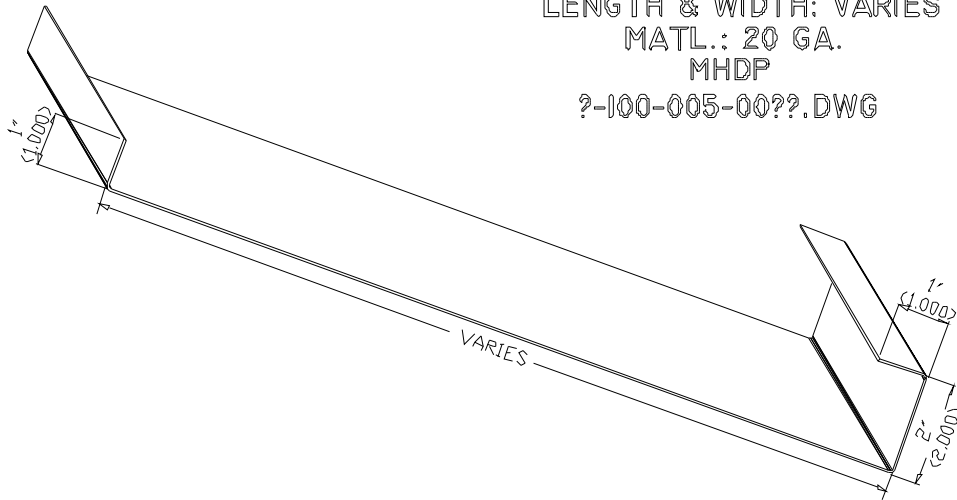


**DOUBLE ROLL-UP FRAME
BASE CHANNEL**

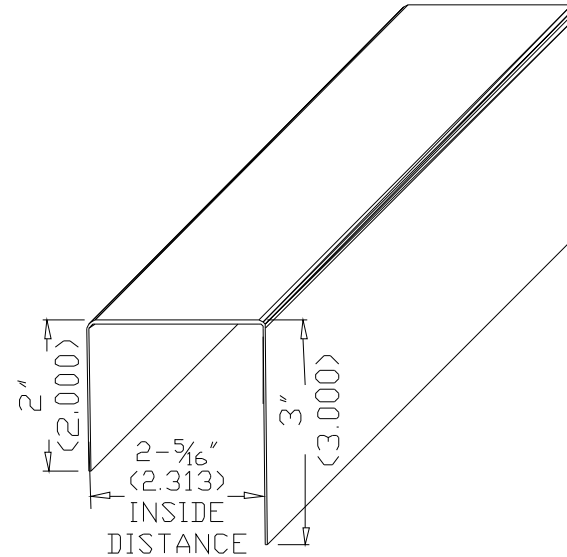
LENGTH: VARIES
MATL.: 20 GA.
BASE + SIZE + COLOR
D-100-005-0046.DWG



FLUSH HEADER
LENGTH & WIDTH: VARIES
MATL.: 20 GA.
MHDP
?-100-005-00???.DWG



TOP CHANNEL
LENGTH: 10'-1" Long
MATL.: 20 GA.
TOPC
D-100-005-0051.DWG



PARTS IDENTIFICATION ONLY



DOORS & BUILDING COMPONENTS
DOUGLASVILLE, GA CHANDLER, AZ HOUSTON, TX
©2001 DBCI ALL RIGHTS RESERVED

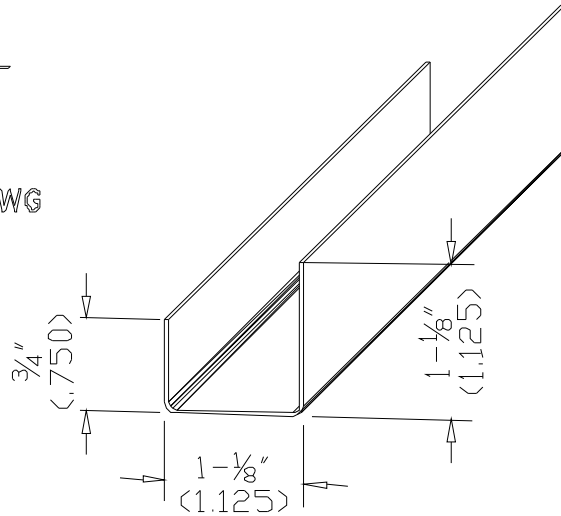
**TRIM LINE SYSTEM 500
INSTALLATION INSTRUCTIONS**

APPROVALS		DATE:
DRAWN	J. DAVIS	3/26/03
CHECKED	Bob Hammond	4/8/03
APPROVED	Bob Hammond	4/9/03

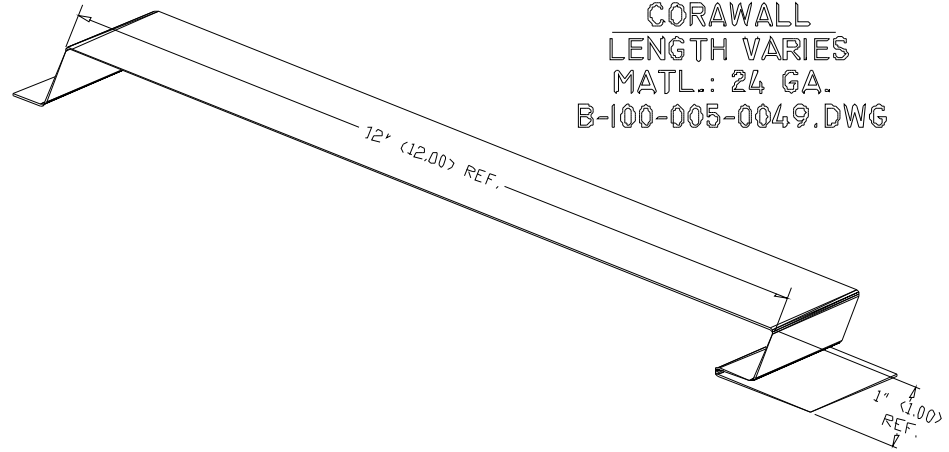
SIZE	DRAWING NUMBER	REV
	-400-961-0005.03	-
SCALE:	NONE	
	SHEET	DF
	4	19

**CORAWALL
BOTTOM CHANNEL**

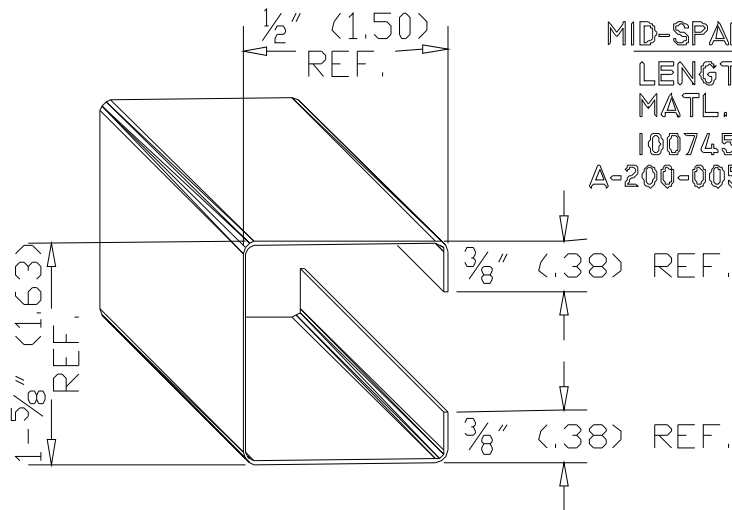
LENGTH: 10'-0"
MATL.: 20 GA.
CHANNEL-COWS
D-100-005-0057.01.DWG



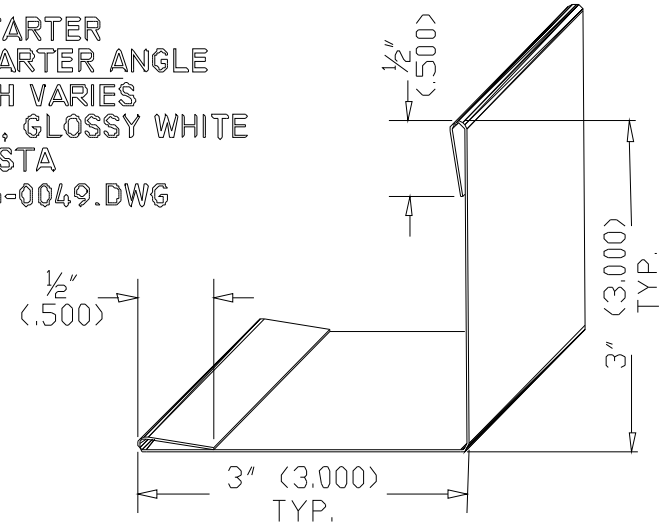
**CORAWALL
LENGTH VARIES
MATL.: 24 GA.
B-100-005-0049.DWG**



**MID-SPAN BRACING
LENGTH: 10'-0"
MATL.: 20 GA.
100745-010000
A-200-005-0032.DWG**



**C-STARTER
CORNER STARTER ANGLE
LENGTH VARIES
MATL.: 20 GA., GLOSSY WHITE
CSTA
B-100-005-0049.DWG**



PARTS IDENTIFICATION ONLY

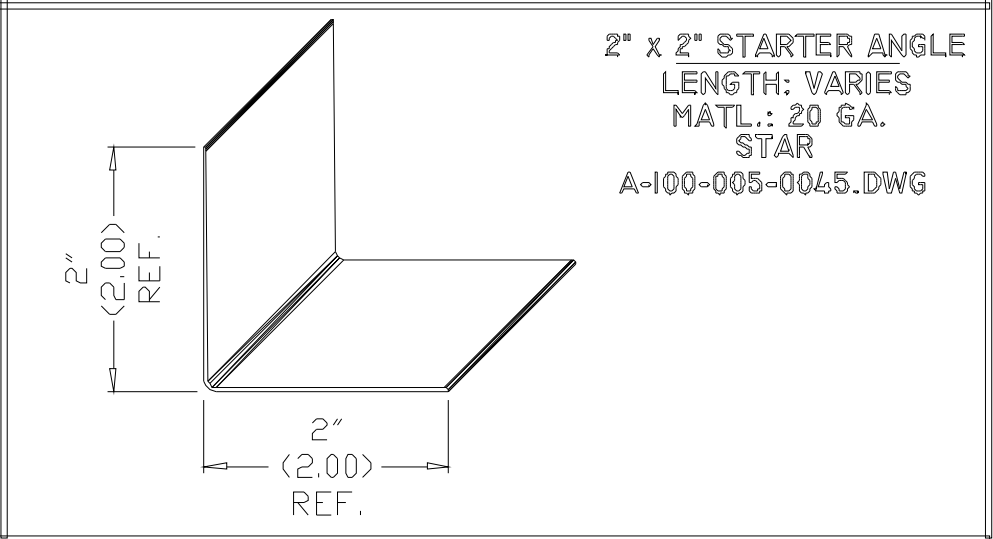
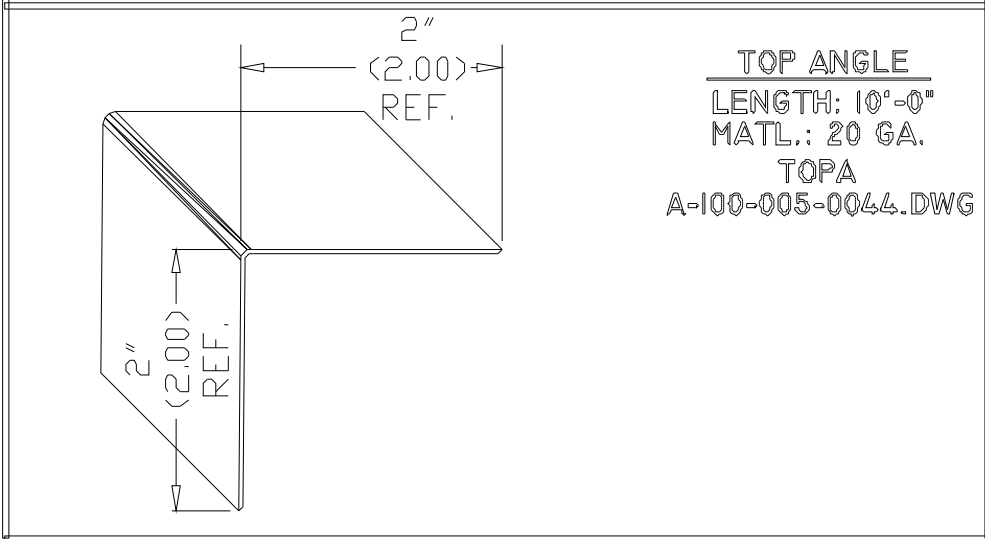
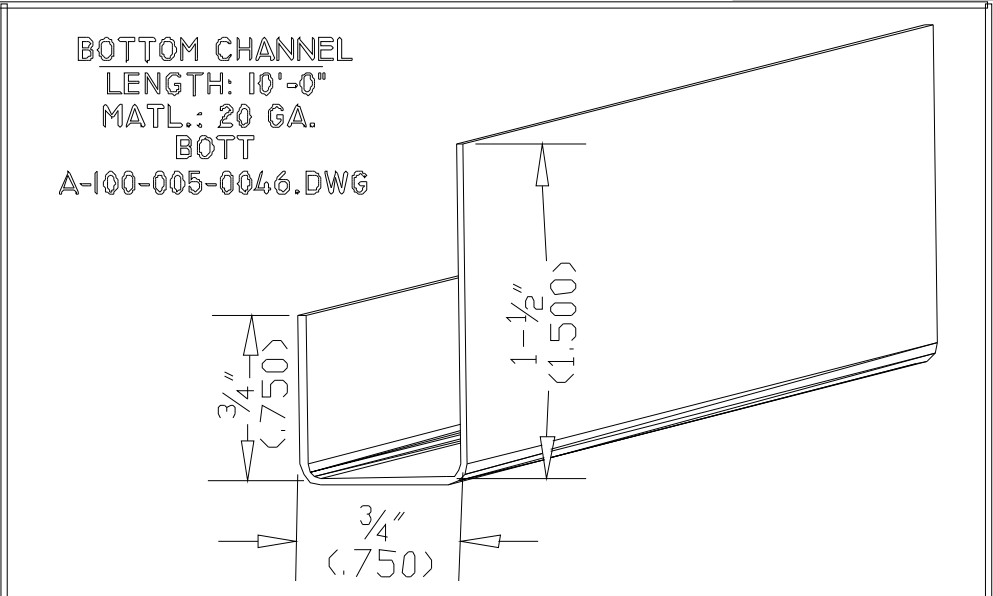
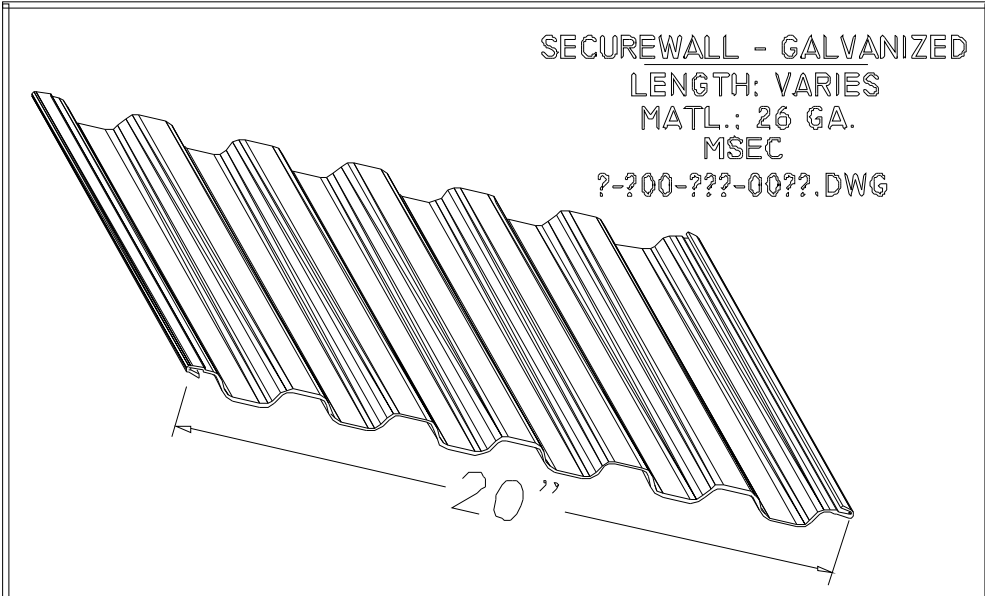


DOORS & BUILDING COMPONENTS
DOUGLASVILLE, GA CHANDLER, AZ HOUSTON, TX
©2001 DBCI ALL RIGHTS RESERVED

**TRIM LINE SYSTEM 500
INSTALLATION INSTRUCTIONS**

APPROVALS		DATE
DRAWN	J. DAVIS	3/21/03
CHECKED	Bob Hammond	4/8/03
APPROVED	Bob Hammond	4/9/03

SIZE A	DRAWING NUMBER -400-961-0005.04	REV. -
SCALE NONE	SHEET 5	OF 19



PARTS IDENTIFICATION ONLY

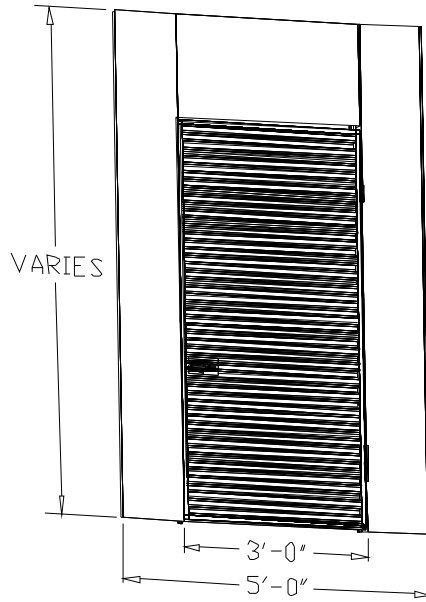


DOORS & BUILDING COMPONENTS
 DOUGLASVILLE, GA CHANDLER, AZ HOUSTON, TX
 ©2001 DBCI ALL RIGHTS RESERVED

TRIM LINE SYSTEM 500
 INSTALLATION INSTRUCTIONS

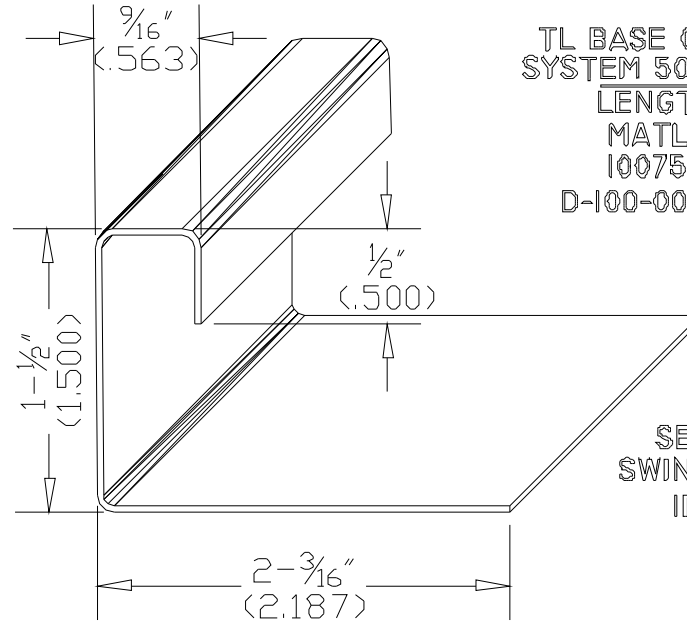
APPROVALS	DATE:
DRAWN J. DAVIS	3/21/03
CHECKED Bob Hammond	4/8/03
APPROVED Bob Hammond	4/9/03

SIZE A	DRAWING NUMBER -400-961-0005.05	REV -
SCALE: NONE	SHEET 6	OF 19



SYSTEM 500 SWING DOOR
 HEIGHT VARIES
 MATL.: 20 GA.
 MSYS 500
 D-300-961-0001.DWG

NOTES:
 SEE SYSTEM 500
 SWING DOOR INSTALL
 INSTRUCTIONS



TL BASE CHANNEL FOR
 SYSTEM 500 SWING DOOR
 LENGTH VARIES
 MATL.: 20 GA.
 100754-020000
 D-100-005-0050.DWG

NOTES:
 SEE SYSTEM 500
 SWING DOOR INSTALL
 INSTRUCTIONS

PARTS IDENTIFICATION ONLY

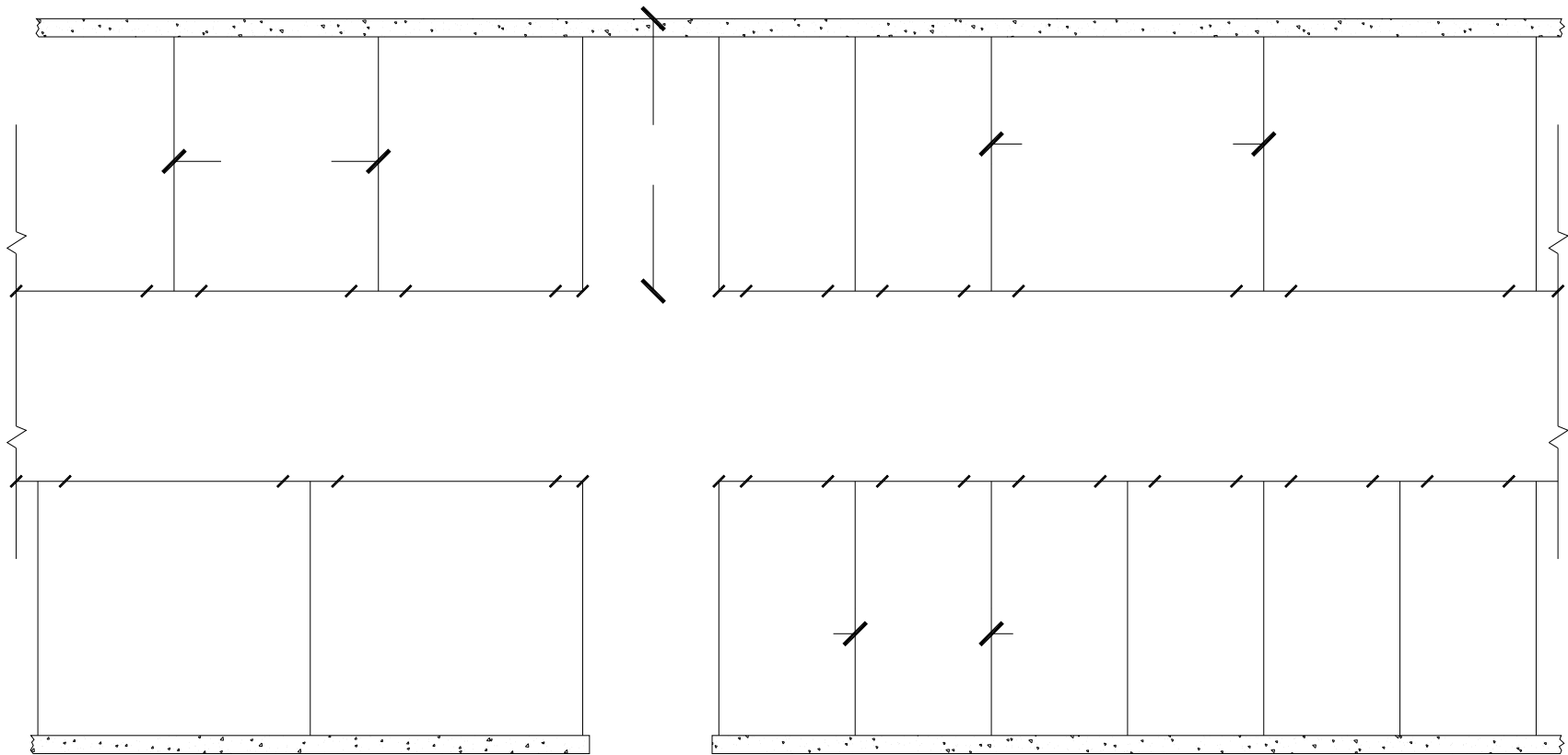


DOORS & BUILDING COMPONENTS
 DOUGLASVILLE, GA CHANDLER, AZ HOUSTON, TX
 ©2001 DBCI ALL RIGHTS RESERVED

TRIM LINE SYSTEM 500 INSTALLATION INSTRUCTIONS

APPROVALS		DATE:
DRAWN	J. DAVIS	3/21/03
CHECKED	Bob Hammond	4/8/03
APPROVED	Bob Hammond	4/9/03

SIZE	DRAWING NUMBER	REV.
	-400-961-0005.06	-
SCALE:	SHEET	OF
NONE	7	19



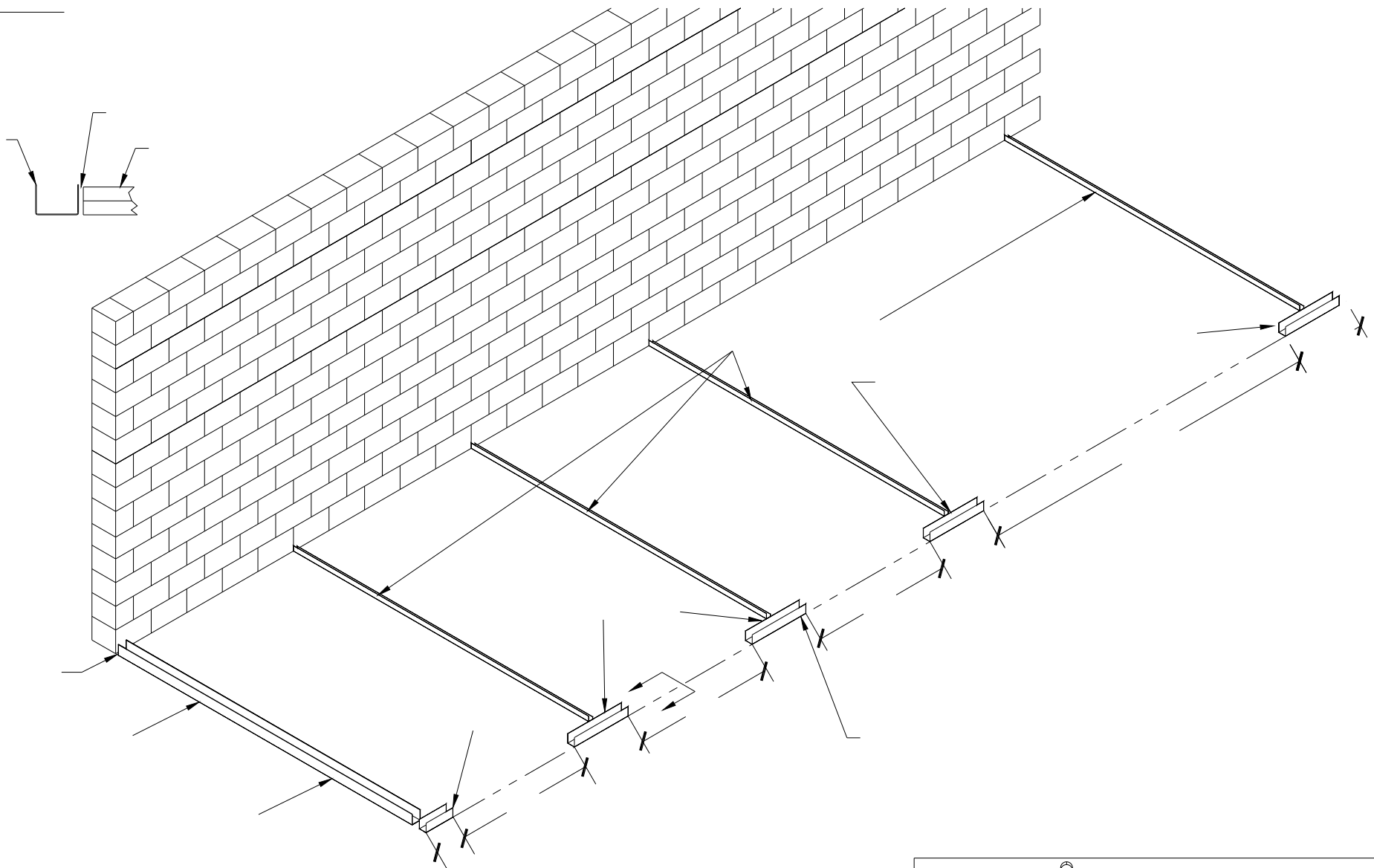
DOORS & BUILDING COMPONENTS
DOUGLASVILLE, GA CHANDLER, AZ HOUSTON, TX
©2001 DBCI ALL RIGHTS RESERVED

TRIM LINE SYSTEM 500 INSTALLATION INSTRUCTIONS

APPROVALS		DATE:
DRAWN	J. DAVIS	4/03/03
CHECKED	Bob Hammond	4/8/03
APPROVED	Bob Hammond	4/9/03

SIZE	DRAWING NUMBER	REV.
A	-400-961-0005.07	-
SCALE:	SHEET	OF
1:80	8	19

//



L

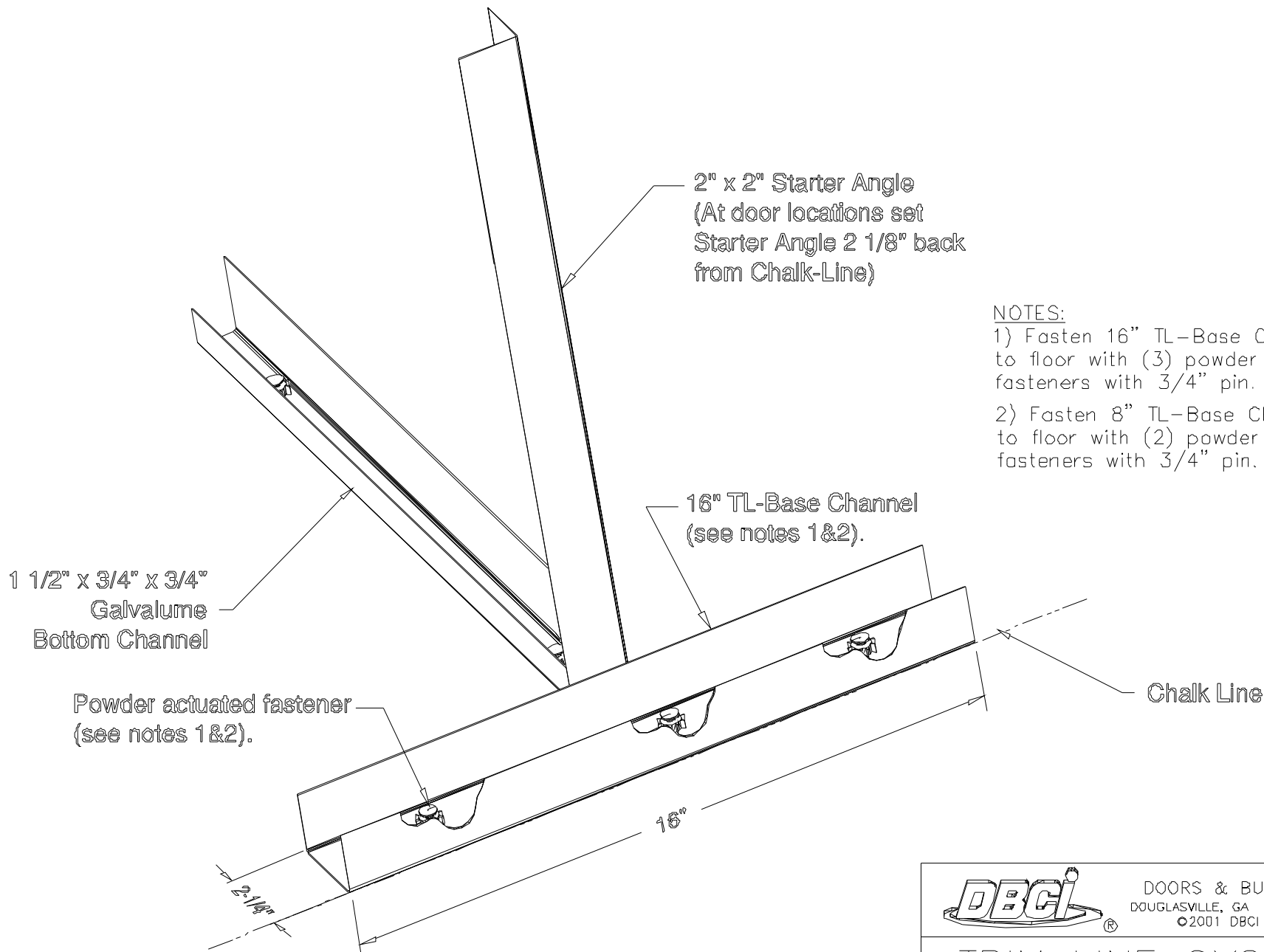


DOORS & BUILDING COMPONENTS
DOUGLASVILLE, GA CHANDLER, AZ HOUSTON, TX
©2001 DBCI ALL RIGHTS RESERVED

SYSTEM 500 HALLWAY INSTALLATION INSTRUCTIONS

APPROVALS	DATE:
DRAWN Jeff Davis	3/28/03
CHECKED Jeff Morgan	4/8/03
APPROVED Jeff Morgan	4/9/03

SIZE A	DRAWING NUMBER	REV.
SCALE: 1:50	-400-961-0005.08	-
	SHEET 9 OF 19	



2" x 2" Starter Angle
(At door locations set
Starter Angle 2 1/8" back
from Chalk-Line)

- NOTES:
- 1) Fasten 16" TL-Base Channel (shown) to floor with (3) powder actuated fasteners with 3/4" pin.
 - 2) Fasten 8" TL-Base Channel (not shown) to floor with (2) powder actuated fasteners with 3/4" pin.

16" TL-Base Channel
(see notes 1&2).

1 1/2" x 3/4" x 3/4"
Galvalume
Bottom Channel

Powder actuated fastener
(see notes 1&2).

Chalk Line

16"

2-1/8"

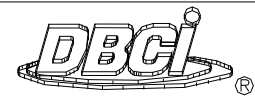
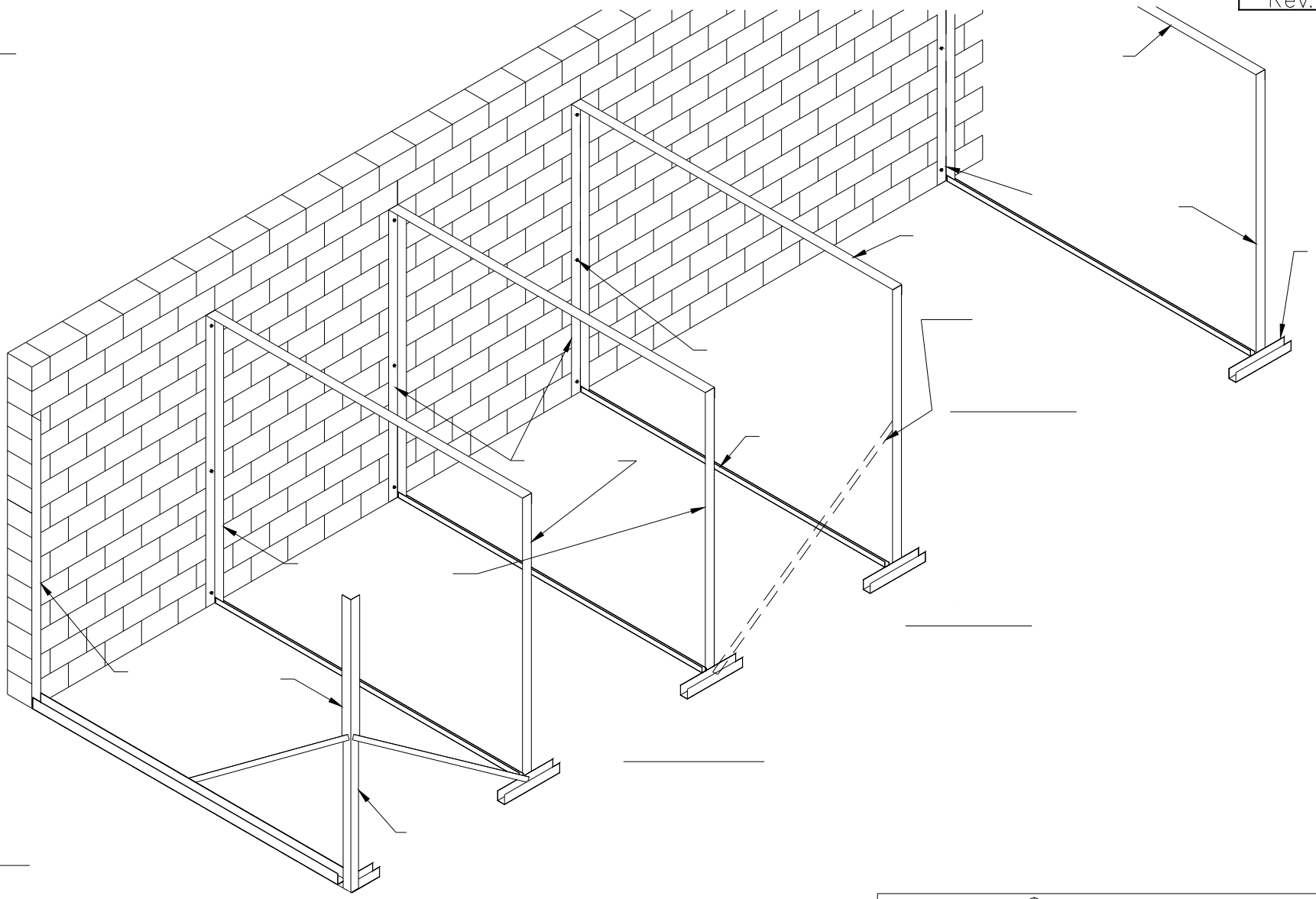
Trim-Line System

APPROVALS		DATE
DRAWN	J. DAVIS	4/2/03
CHECKED	Bob Hammond	4/8/03
APPROVED	Bob Hammond	4/9/03

DBCI DOORS & BUILDING COMPONENTS
DOUGLASVILLE, GA CHANDLER, AZ HOUSTON, TX
©2001 DBCI ALL RIGHTS RESERVED

TRIM LINE SYSTEM 500
INSTALLATION INSTRUCTIONS

SIZE	DRAWING NUMBER	REV
	- 400-961-0005.09	-
SCALE	SHEET	OF
1:4	10	19



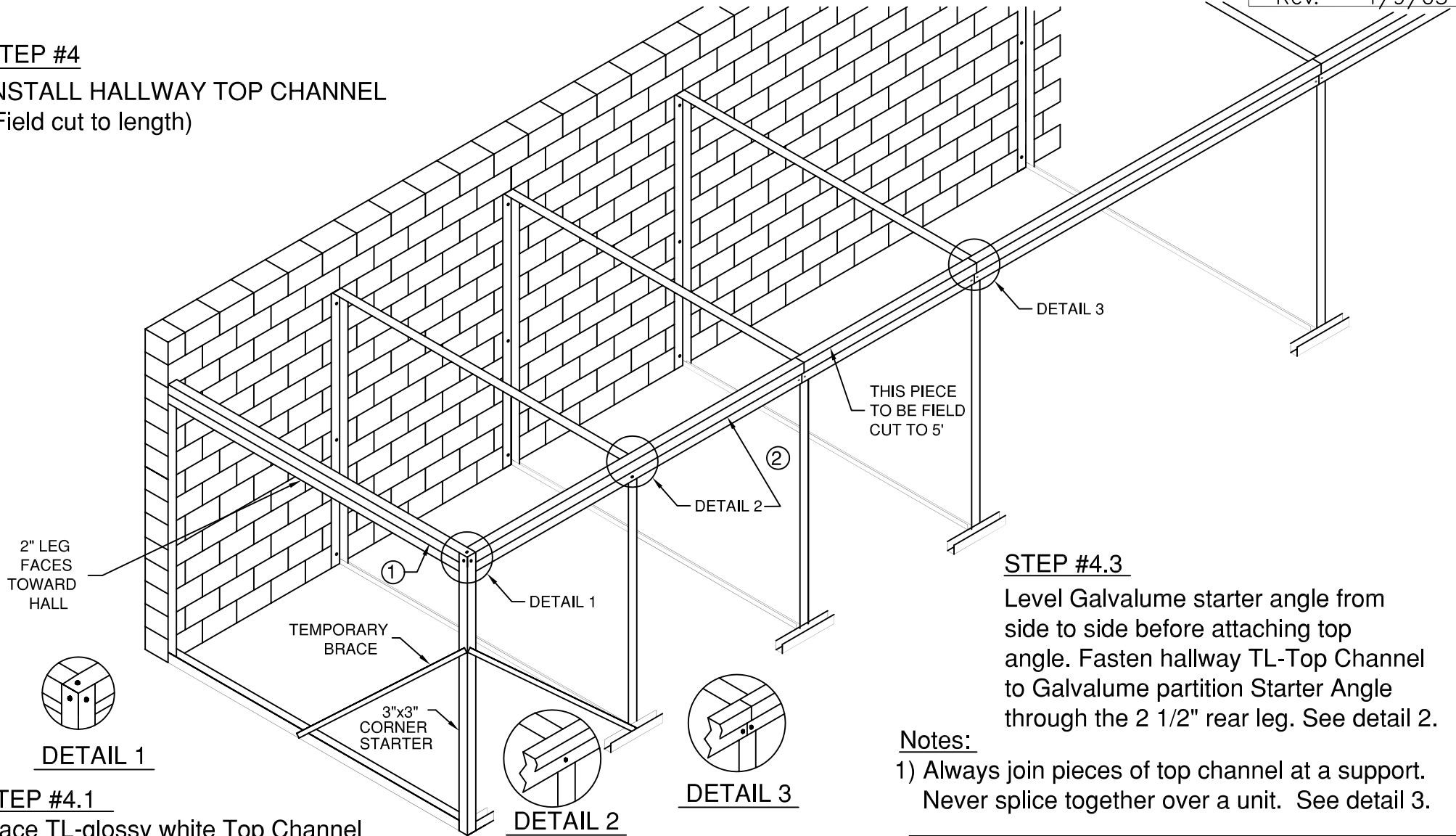
DOORS & BUILDING COMPONENTS
 DOUGLASVILLE, GA CHANDLER, AZ HOUSTON, TX
 ©2001 DBCI ALL RIGHTS RESERVED

SYSTEM 500 HALLWAY INSTALLATION INSTRUCTIONS

APPROVALS		DATE:
DRAWN	J. DAVIS	4/3/03
CHECKED	Jeff Morgan	4/8/03
APPROVED	Bob Hammond	4/9/03

SIZE	DRAWING NUMBER	REV.
	- 400-961-0005.10	-
SCALE:	SHEET OF	
1:50	11	19

STEP #4
INSTALL HALLWAY TOP CHANNEL
 (Field cut to length)



STEP #4.3
 Level Galvalume starter angle from side to side before attaching top angle. Fasten hallway TL-Top Channel to Galvalume partition Starter Angle through the 2 1/2" rear leg. See detail 2.

Notes:
 1) Always join pieces of top channel at a support. Never splice together over a unit. See detail 3.

STEP #4.1
 Place TL-glossy white Top Channel ① to the face of the starter angle holding top channel even with the top of the starter angle. Fasten with #8 x 1/2" teks at each starter angle.

STEP #4.2
 Place TL-glossy white Top Channel ②, to the face of of Galvalume top and starter angles previously installed. Fasten TL-Top Channel at outside corner of corner starter angle and at the Starter Angles. See detail 1.

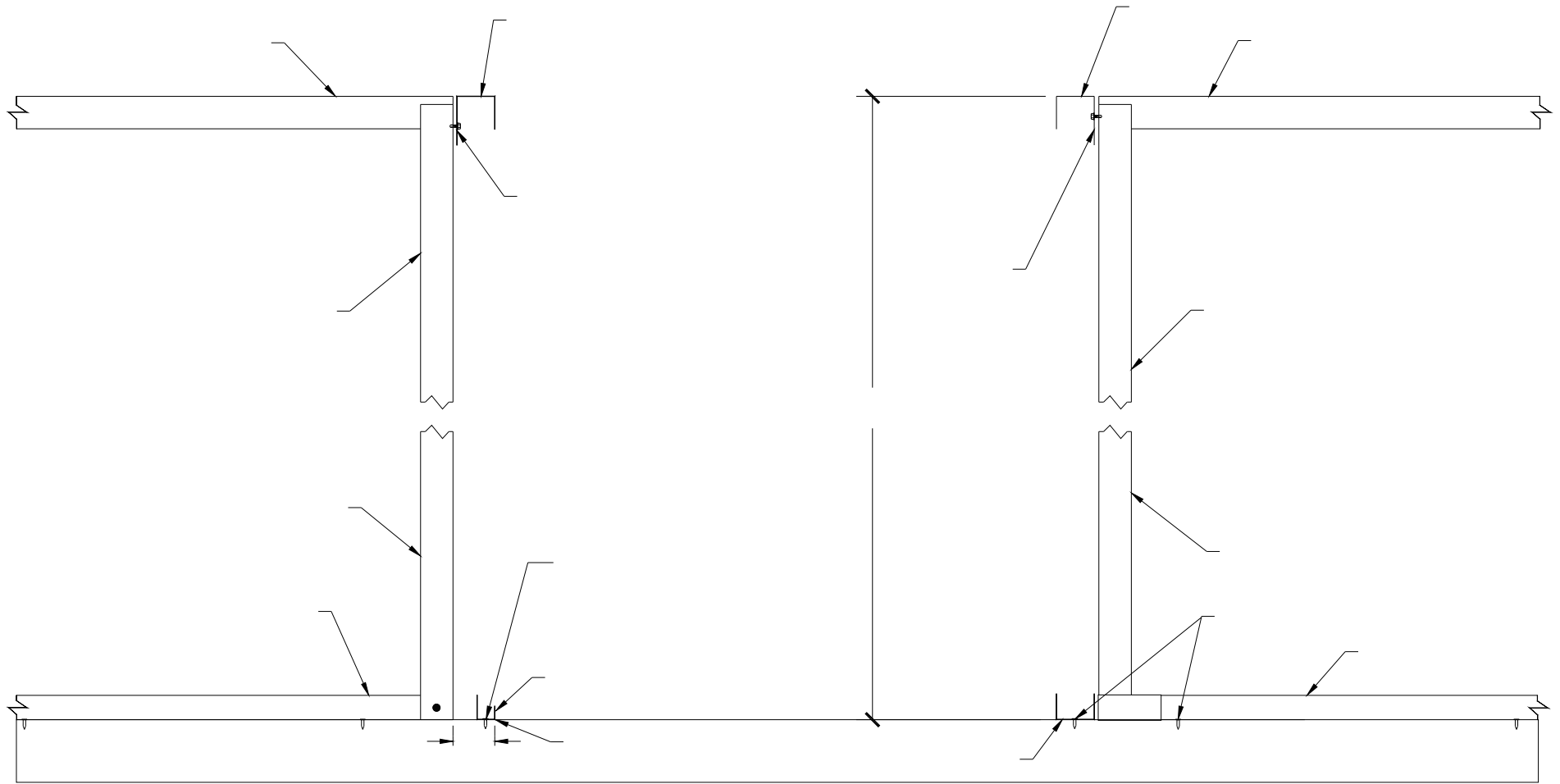
Trim Line System

APPROVALS		DATE:
DRAWN	J. DAVIS	4/2/03
CHECKED	Bob Hammond	4/8/03
APPROVED	Jeff Morgan	4/9/03

DBCI DOORS & BUILDING COMPONENTS
 DOUGLASVILLE, GA CHANDLER, AZ HOUSTON, TX
 ©2001 DBCI ALL RIGHTS RESERVED

TRIM LINE SYSTEM 500
INSTALLATION INSTRUCTIONS

SIZE	DRAWING NUMBER	REV.
A	-400-961-0005.11	-
SCALE:	SHEET	OF
1:50	12	19

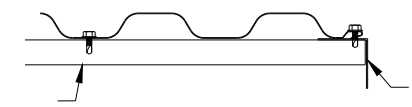
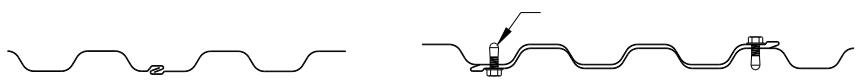
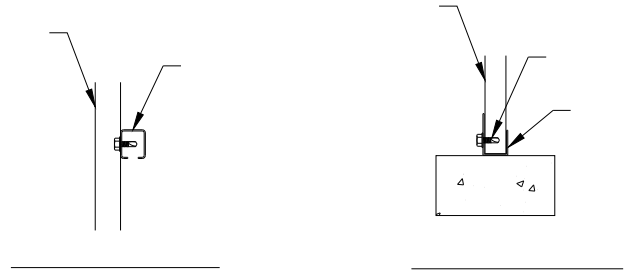
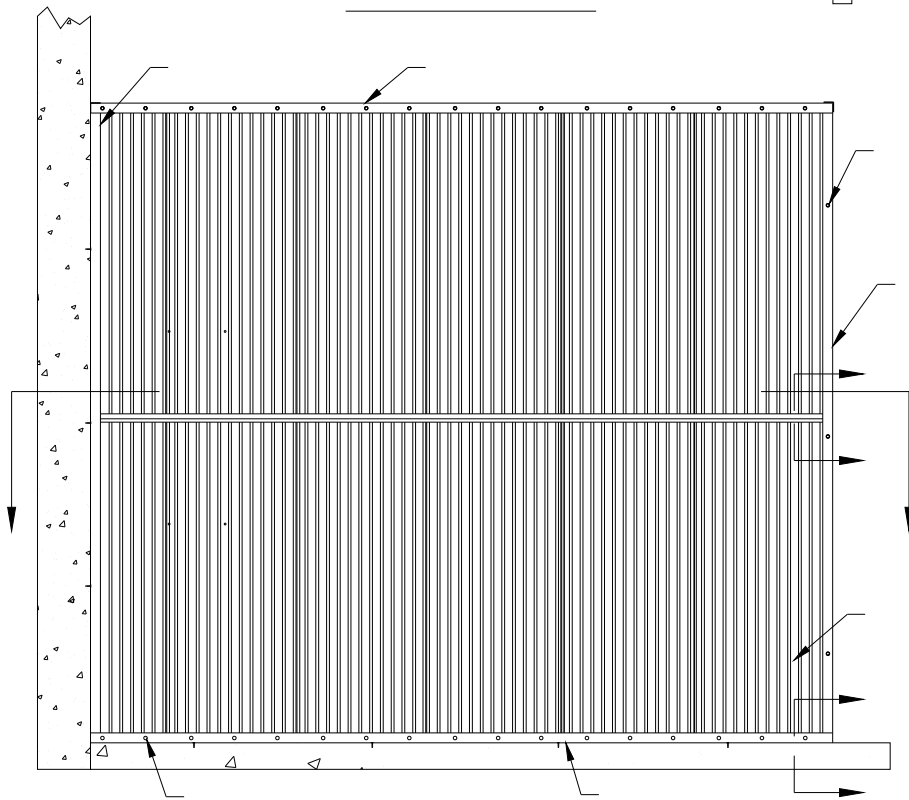
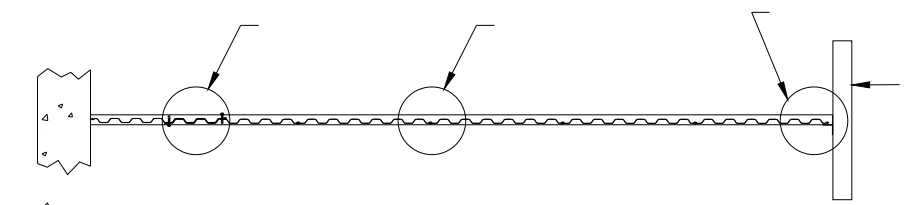


DOORS & BUILDING COMPONENTS
DOUGLASVILLE, GA CHANDLER, AZ HOUSTON, TX
©2001 DBCI ALL RIGHTS RESERVED

TRIM LINE SYSTEM 500 INSTALLATION INSTRUCTIONS

APPROVALS	DATE:
DRAWN J. DAVIS	4/3/03
CHECKED Jeff Morgan	4/8/03
APPROVED Bob Hammond	4/9/03


SIZE	DRAWING NUMBER	REV.
A	-400-005-0005.12	-
SCALE: 1:16	SHEET 13	OF 19

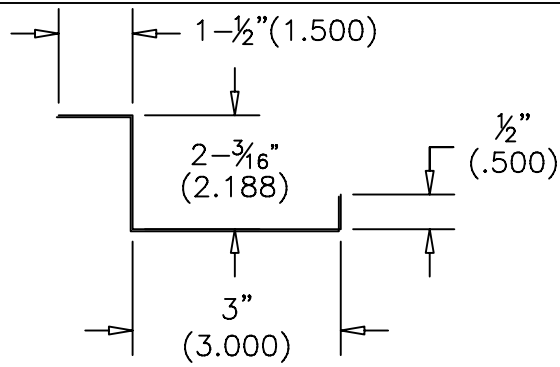


DBCI
 DOORS & BUILDING COMPONENTS
 DOUGLASVILLE, GA CHANDLER, AZ HOUSTON, TX
 ©2001 DBCI ALL RIGHTS RESERVED

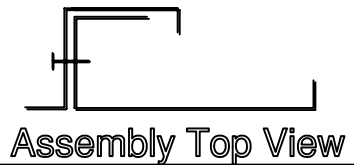
TRIM LINE SYSTEM 500 INSTALLATION INSTRUCTIONS

APPROVALS		DATE:
DRAWN	J. DAVIS	4/04/03
CHECKED	Lane Nalley	4/8/03
APPROVED	Bob Hammond	4/9/03

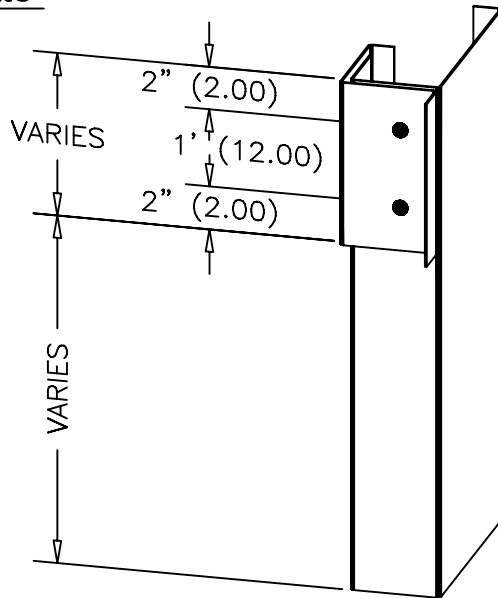
SIZE	DRAWING NUMBER	REV.
	-400-961-0005.13	-
SCALE:	SHEET	OF
1: 30	14	19



Flush Single Plate
Top View



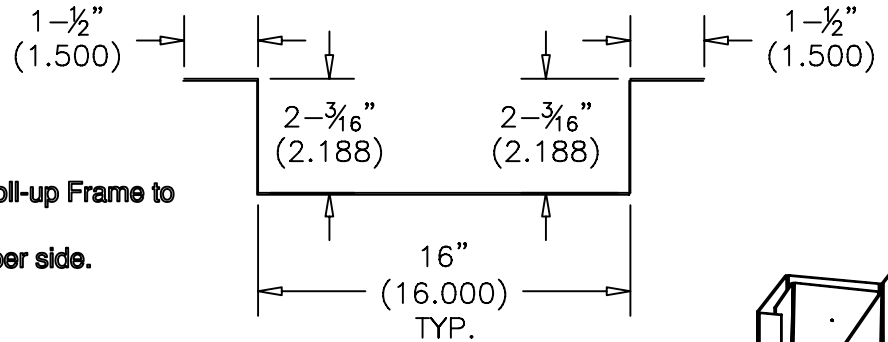
Assembly Top View



3D View

Flush Back Plate Installations

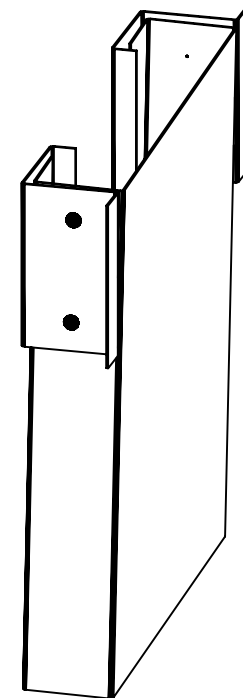
- 1) Measure from the base of the Roll-up Frame to Door Opening height.
- 2) Fasten at minimum 2 locations per side.



Flush Double Plate
Top View



Assembly Top View



3D View

Trim-Line System

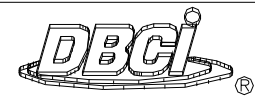
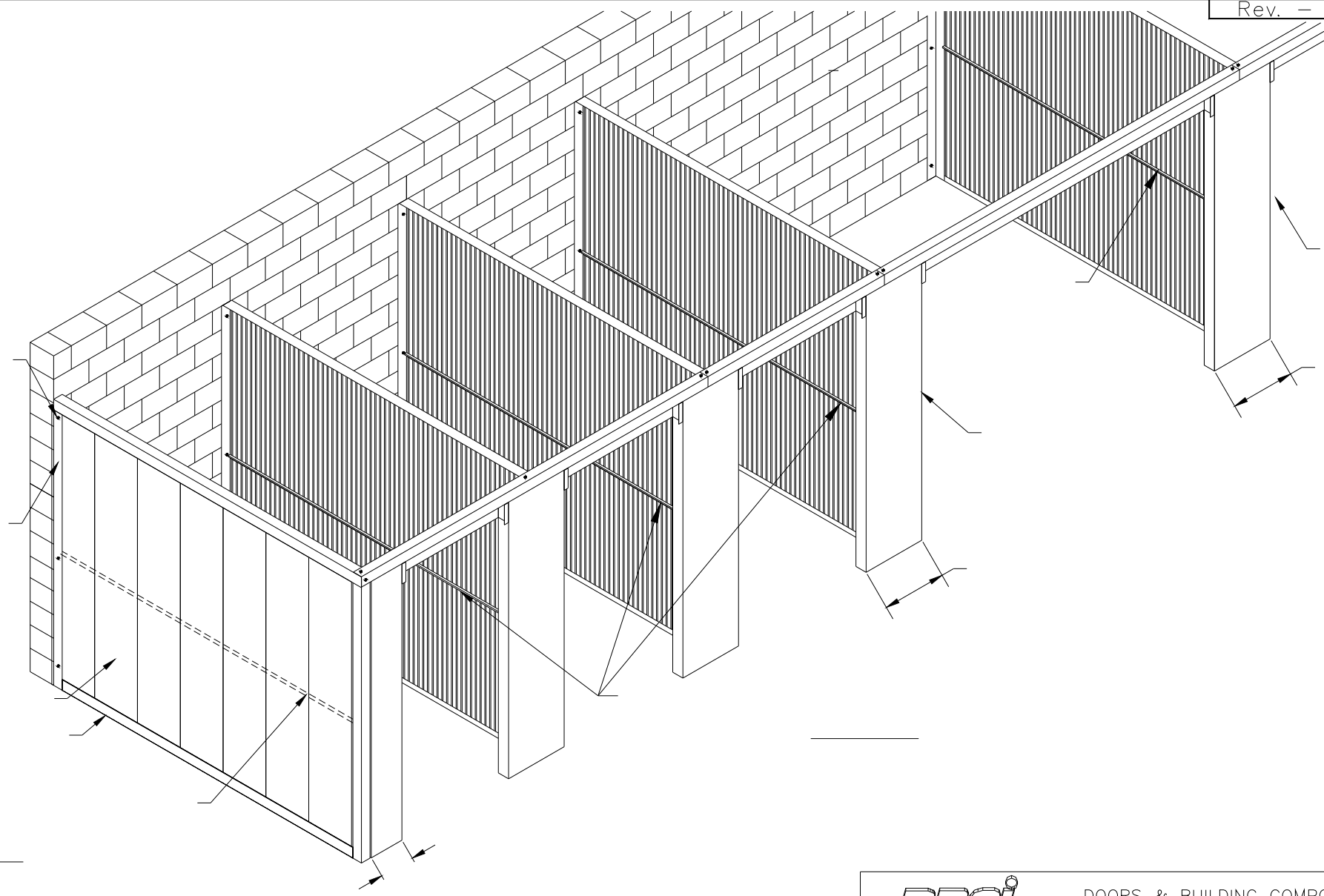
APPROVALS		DATE:
DRAWN	J. DAVIS	4/2/03
CHECKED	Bob Hammond	4/8/03
APPROVED	Bob Hammond	4/9/03



DOORS & BUILDING COMPONENTS
DOUGLASVILLE, GA CHANDLER, AZ HOUSTON, TX
©2001 DBCI ALL RIGHTS RESERVED

**TRIM LINE SYSTEM 500
INSTALLATION INSTRUCTIONS**


SIZE	DRAWING NUMBER	REV.
	-400-961-0005.14	-
SCALE:	SHEET	OF
1:50	15	19



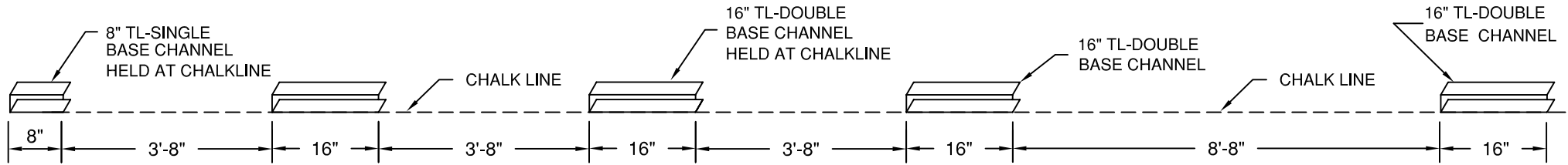
DOORS & BUILDING COMPONENTS
 DOUGLASVILLE, GA CHANDLER, AZ HOUSTON, TX
 ©2001 DBCI ALL RIGHTS RESERVED

TRIM LINE SYSTEM 500 INSTALLATION INSTRUCTIONS

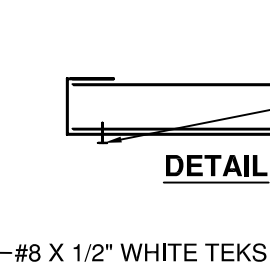
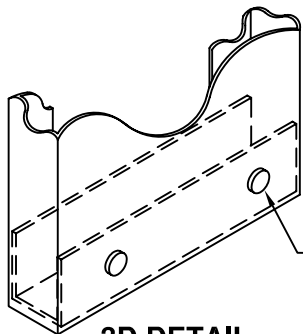
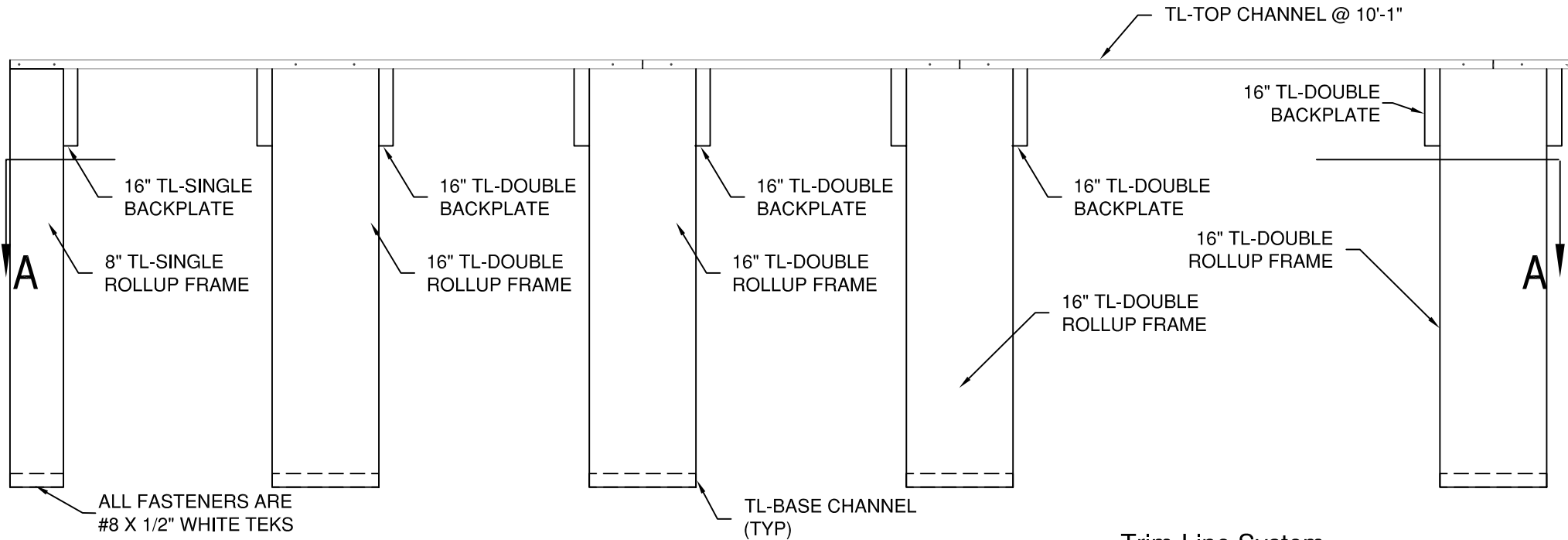
APPROVALS		DATE:
DRAWN	J. DAVIS	4/03/03
CHECKED	Lane Nalley	4/8/03
APPROVED	Bob Hammond	4/9/03

SIZE	DRAWING NUMBER	REV.
	-400-961-0005.15	-
SCALE:	SHEET	OF
1:50	16	19

TEKS SCREW LOCATIONS



SECTION "A-A"



FASTEN ROLLUP FRAME AT BASE ON FRONT USING TWO #8 TEKS SCREWS, EVENLY SPACED.

APPROVALS		DATE:
DRAWN	J. DAVIS	3/31/03
CHECKED	Bob Hammond	4/8/03
APPROVED	Bob Hammond	4/9/03

Trim-Line System



DOORS & BUILDING COMPONENTS
DOUGLASVILLE, GA CHANDLER, AZ HOUSTON, TX
©2001 DBCI ALL RIGHTS RESERVED

**TRIM LINE SYSTEM 500
INSTALLATION INSTRUCTIONS**

SIZE	DRAWING NUMBER	REV.
A	-400-961-0005.16	-
SCALE:	SHEET	OF
1:30	17	19

STEP #7
INSTALLATION OF FLUSH INTERIOR HEADER PANEL

STEP #7.1
 Mark interior rollup door height on the face of the rollup frame. (Snapping a chalk line across several openings at one time is recommended)

STEP #7.2
 Notch top of TL-Flush header 1 1/2" back from each end at top return leg.

STEP #7.3
 Fasten TL-Flush header at each end as shown in Figure-1 using white #8 x 1/2" teks.

NOTE:
 Quantity of fasteners depends on the size of the Flush Header. Four to five fasteners are typically required for 16" Flush Header. Overtightening of the screws can result in dimpling of the material.

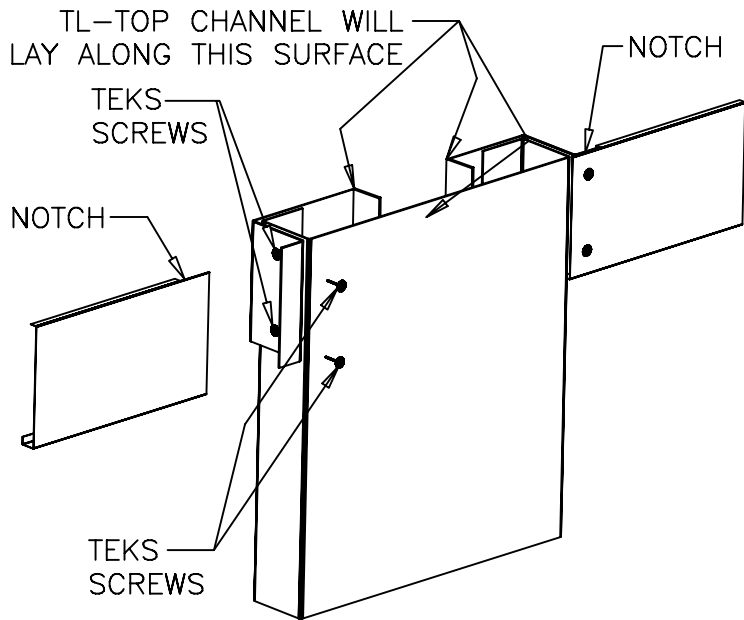
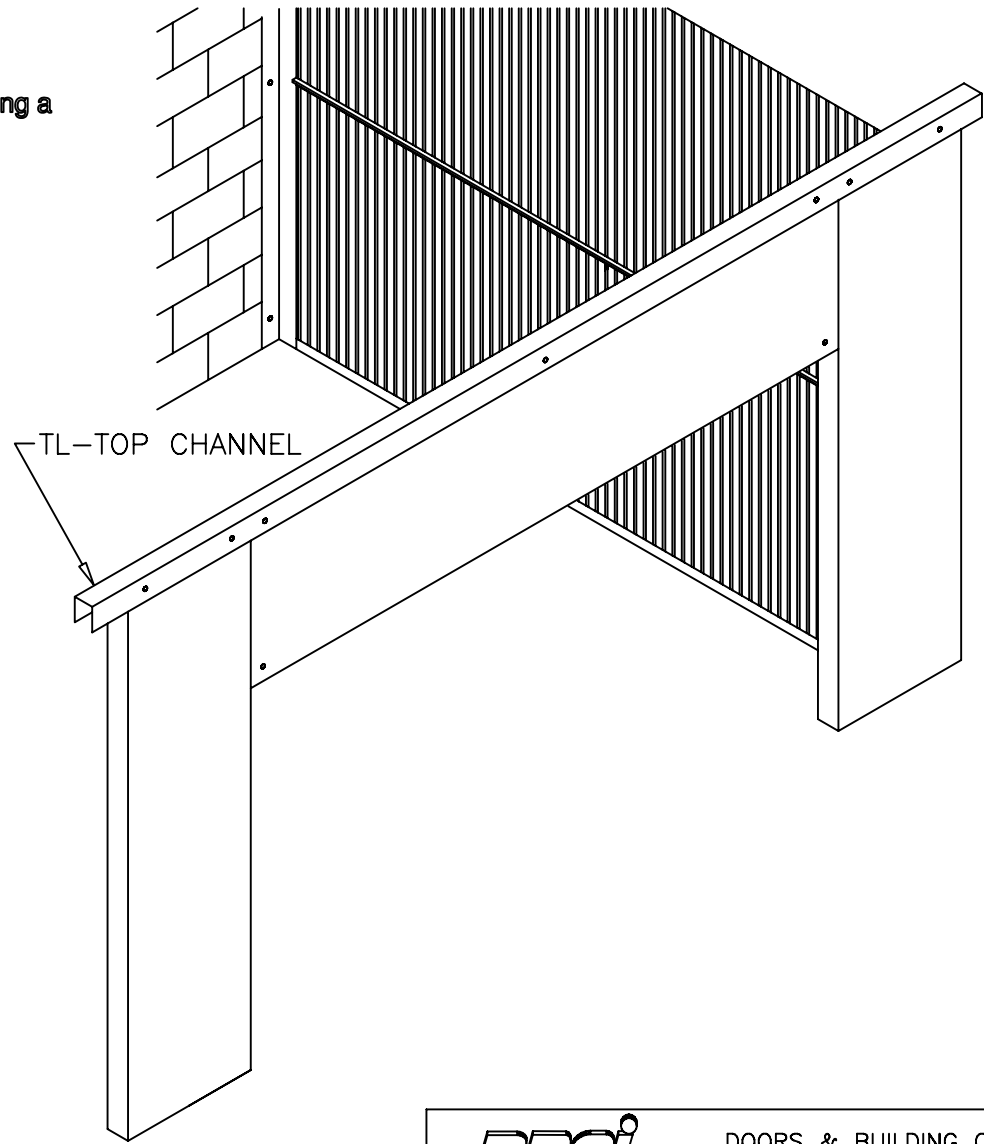


Figure 1
3D View, No Scale

Trim-Line System

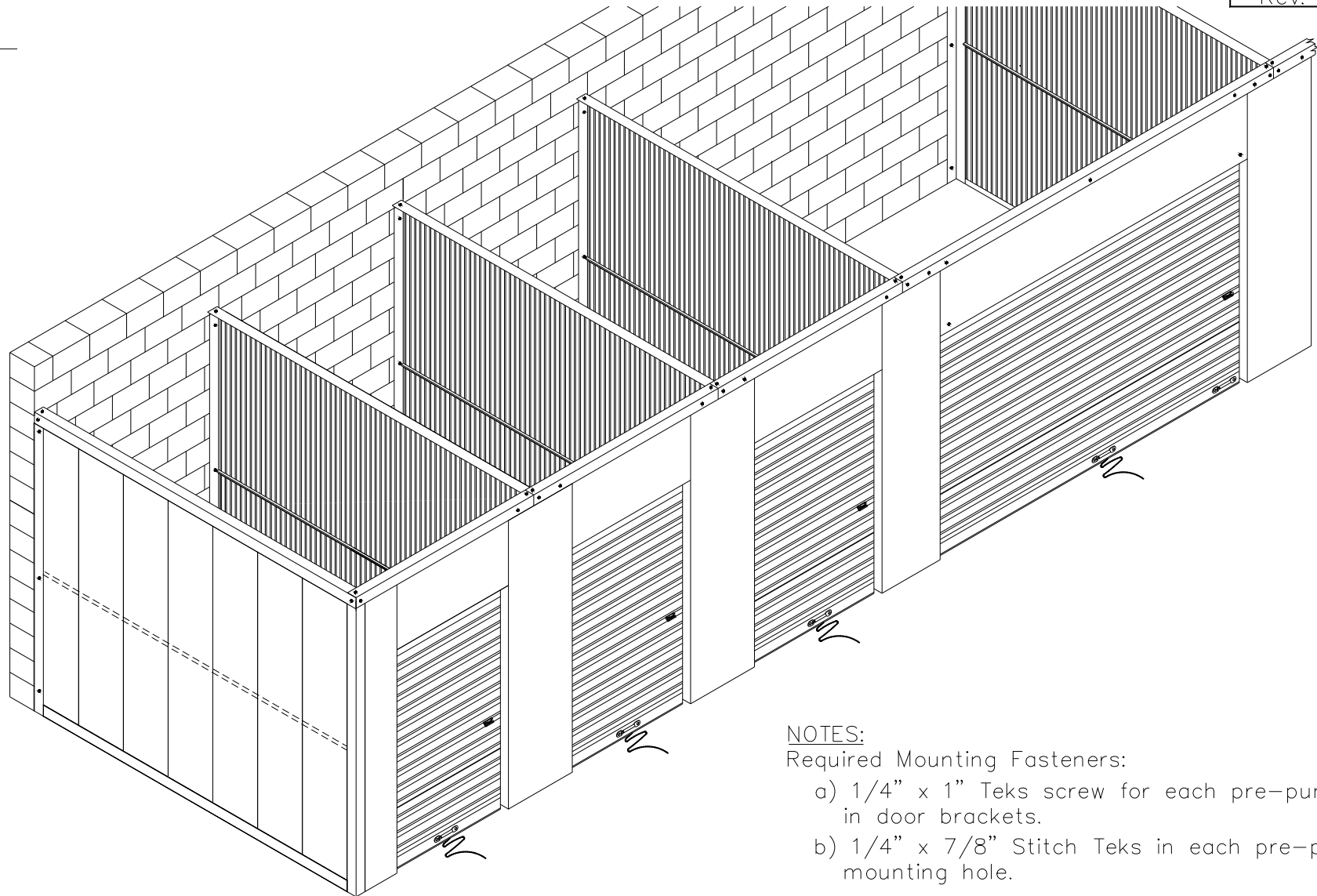
APPROVALS	DATE:
DRAWN J. DAVIS	4/2/03
CHECKED Jeff Morgan	4/8/03
APPROVED Bob Hammond	4/9/03

DOORS & BUILDING COMPONENTS
 DOUGLASVILLE, GA CHANDLER, AZ HOUSTON, TX
 ©2001 DBCI ALL RIGHTS RESERVED

TRIM LINE SYSTEM 500

INSTALLATION INSTRUCTIONS

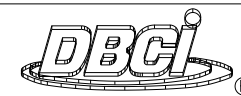
SIZE	DRAWING NUMBER	REV.
	-400-961-0005.17	-
SCALE:	SHEET	OF
1:50	18	19



NOTES:

Required Mounting Fasteners:

- a) 1/4" x 1" Teks screw for each pre-punched hole in door brackets.
- b) 1/4" x 7/8" Stitch Teks in each pre-punched mounting hole.



DOORS & BUILDING COMPONENTS
DOUGLASVILLE, GA CHANDLER, AZ HOUSTON, TX
©2001 DBCI ALL RIGHTS RESERVED

TRIM LINE SYSTEM 500 INSTALLATION INSTRUCTIONS

APPROVALS		DATE:
DRAWN	J. DAVIS	3/31/03
CHECKED	Jeff Morgan	4/8/03
APPROVED	Jeff Morgan	4/9/03



DRAWING NUMBER
-400-961-0005.18

REV.
-

SHEET 19 OF 19