

# DOORS

HEAVY DUTY ROLL-UP



## 1950HD SERIES

The 1950HD Commercial Series is a sheet door value engineered with strength and durability in mind. The versatility and easy operation makes this door dependable, yet still economical. Backed by a one-year warranty on workmanship and material, this 1950HD Series is the best value on the market.

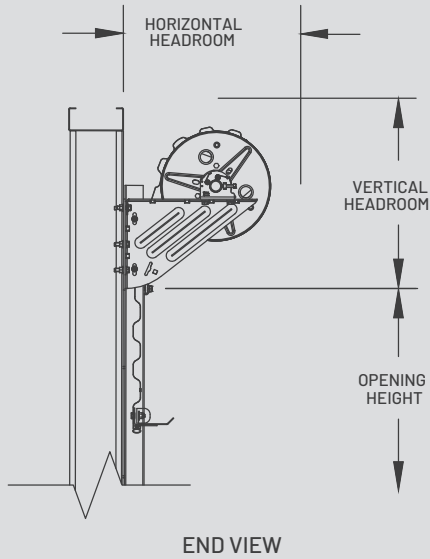
↑ **HEADROOM**  
19" (THRU 8')  
20" (8' TO 10')  
↓ 20.5" (10' TO 14')

**9-1/2"**  
DRUM

**WARRANTY**  
**40/35**  
FILM/CHALK-FADE

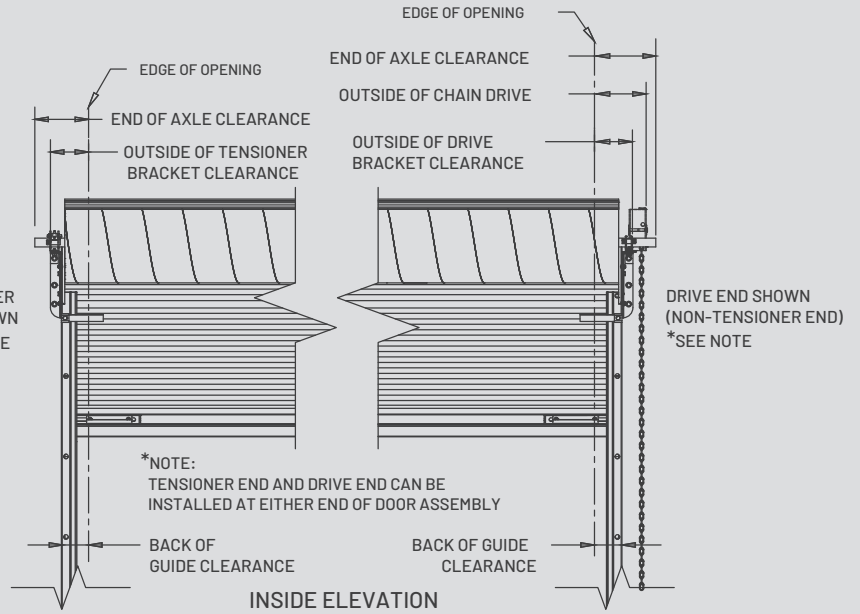
# 1950HD SERIES

## HEAVY DUTY ROLL-UP



### IMPORTANT NOTES:

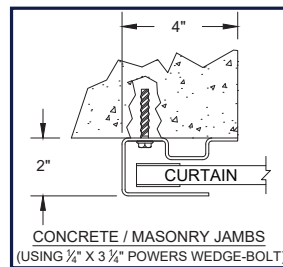
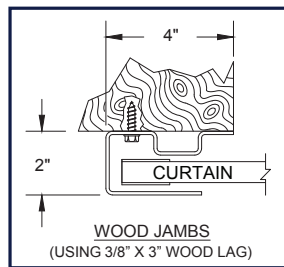
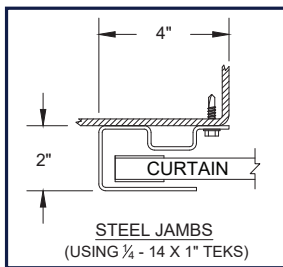
- Dimensions are referenced from edge of opening.
- Tensioner end and drive end can be installed at either end of door assembly.
- FOR CRITICAL FITS DUE TO REDUCED AVAILABLE HEADROOM or SIDEROOM CLEARANCES, CONSULT FACTORY.



Universal mount 3" deep 12-gauge galvanized steel guides require no pre-installation modifications for wood, steel, concrete or filled masonry block applications.

## SPECIFICATIONS

### Guide Details



### HIGHLIGHTS:

- B** Barrel: 9.5"
- G** Guide: 4", 12-gauge
- Ⓜ** 4:1 reduced-drive chain hoist offers smoother operation on doors over 10' tall.

Visit [DBCI.com](http://DBCI.com) for technical drawings, color options and more.

### Head Room Requirements

Opening Height	Vertical Headroom	Horizontal Headroom
Thru 8'0"	19"	19"
Over 8'0" thru 10'0"	20"	20"
Over 10'0" thru 14'0"	20.5"	20"

### Side Room Requirements

Operation	Guide	Outside of Bracket Tensioner End	Outside of Hand Chain Drive	Outside of Bracket Drive End	Each End of Axle
Push Up	4"	6"	N/A	4.5"	8.5"
Reduced Drive Chain	4"	6"	8.5"	4.5"	8.5"
Electric	4"	6"	N/A	4.5"	8.5"

